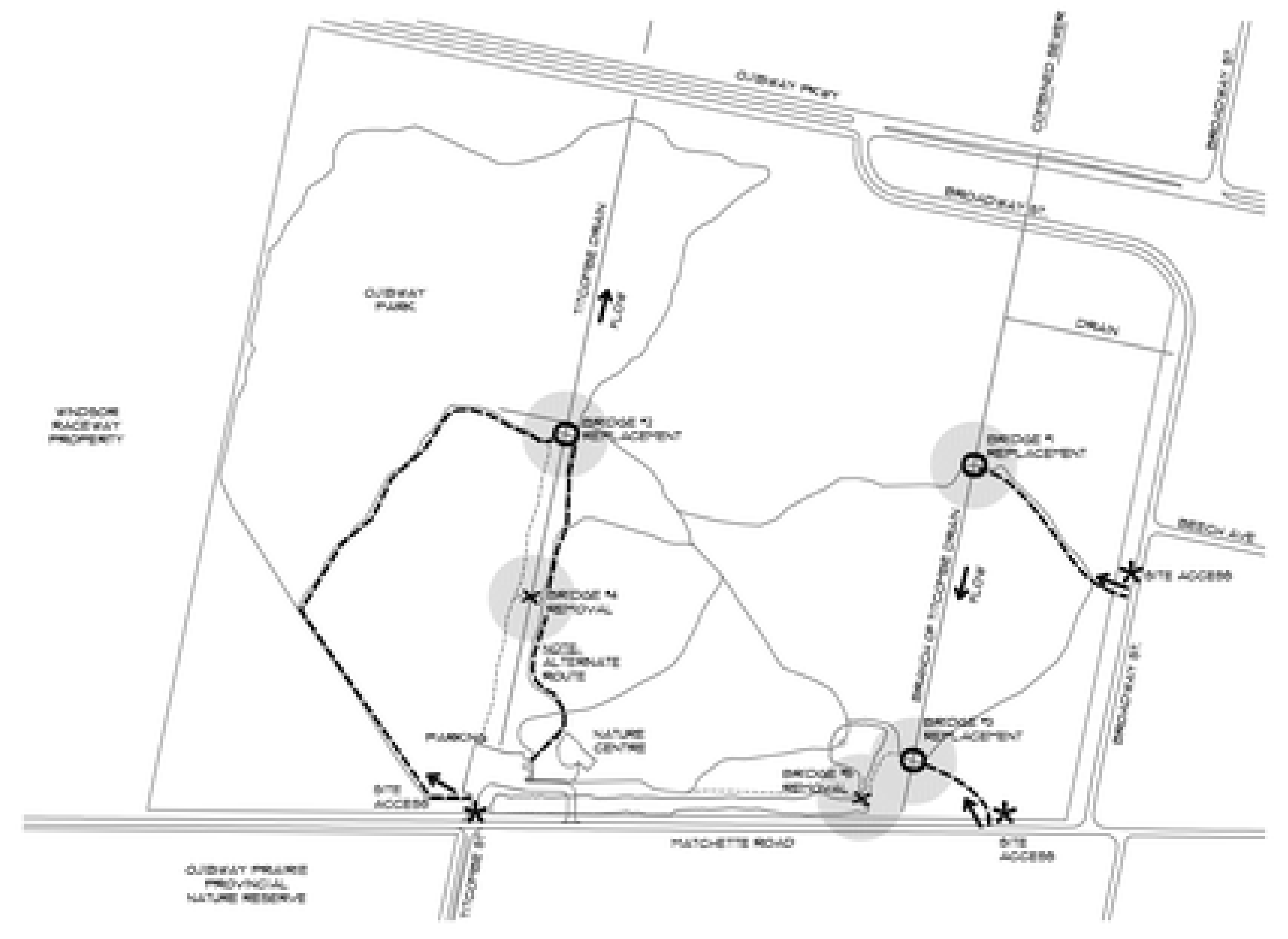


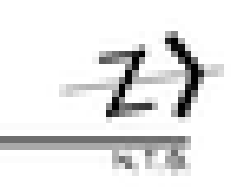
NOTES

1. GEOTEXTILE FABRIC SHALL BE NON-WOVEN, POLYESTER TYPE 700 BY TERRAFLEX OR APPROVED EQUAL.
2. HOPE CULVERT SHALL BE DUAL WALLED CORRUGATED PIPE WITH SMOOTH INNER LINER, SOLID WALL AS PER BOMBS 1000 HOPE OR APPROVED EQUAL. SIZE AS INDICATED ON DRAWING. INCLUDE EXTERNAL SPLIT COUPLER AND NECESSARY HARDWARE.
3. PRECAST CONCRETE 'STONE BLOCKS' SHALL BE AS MANUFACTURED BY STONE-LINE, WOODBRIDGE ONTARIO. PRODUCT IS WEATHER-EDGE IMPERIAL STONE, SAND BUFF COLOUR. IN SIZES INDICATED ON DRAWING.

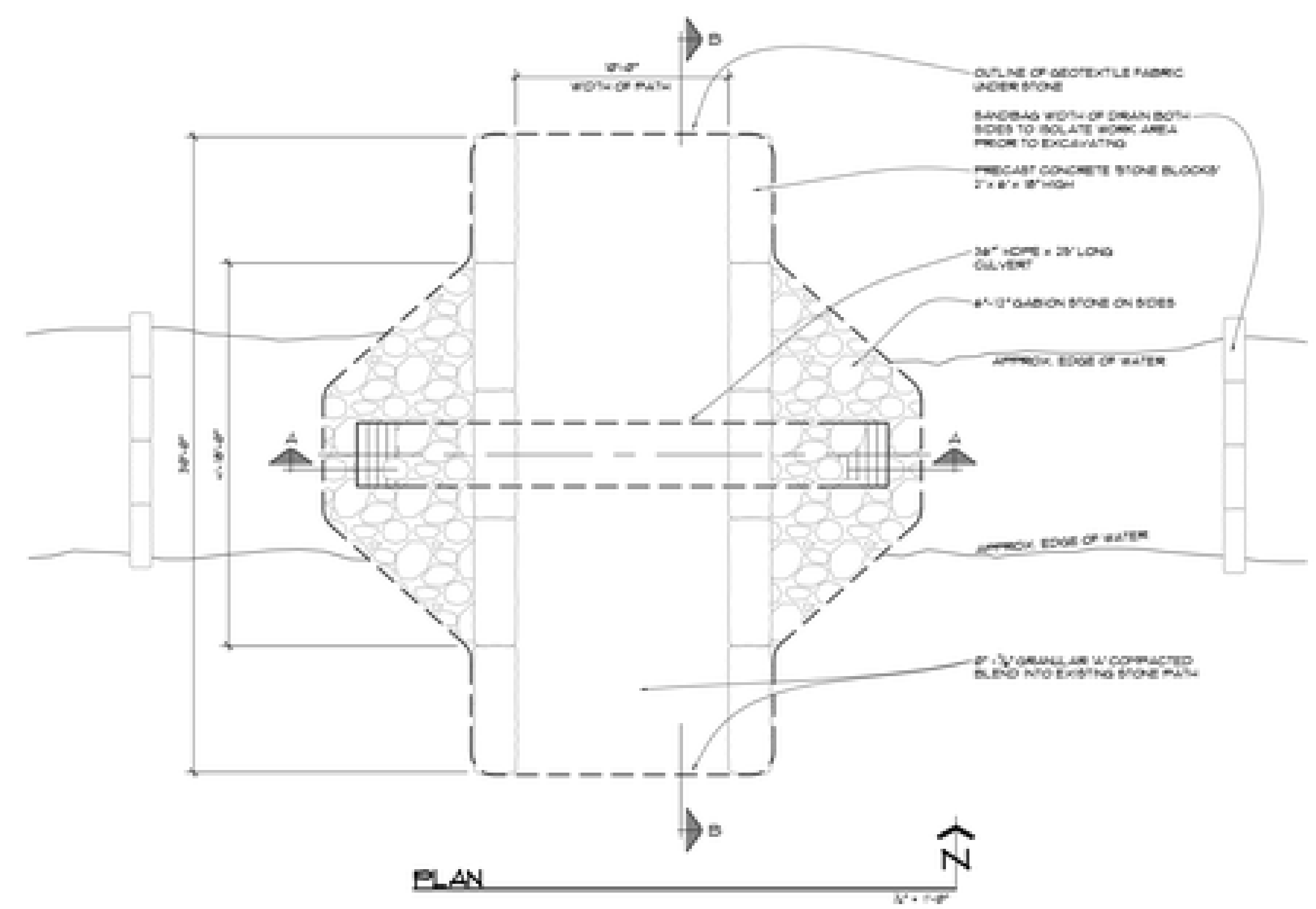


SITE PLAN

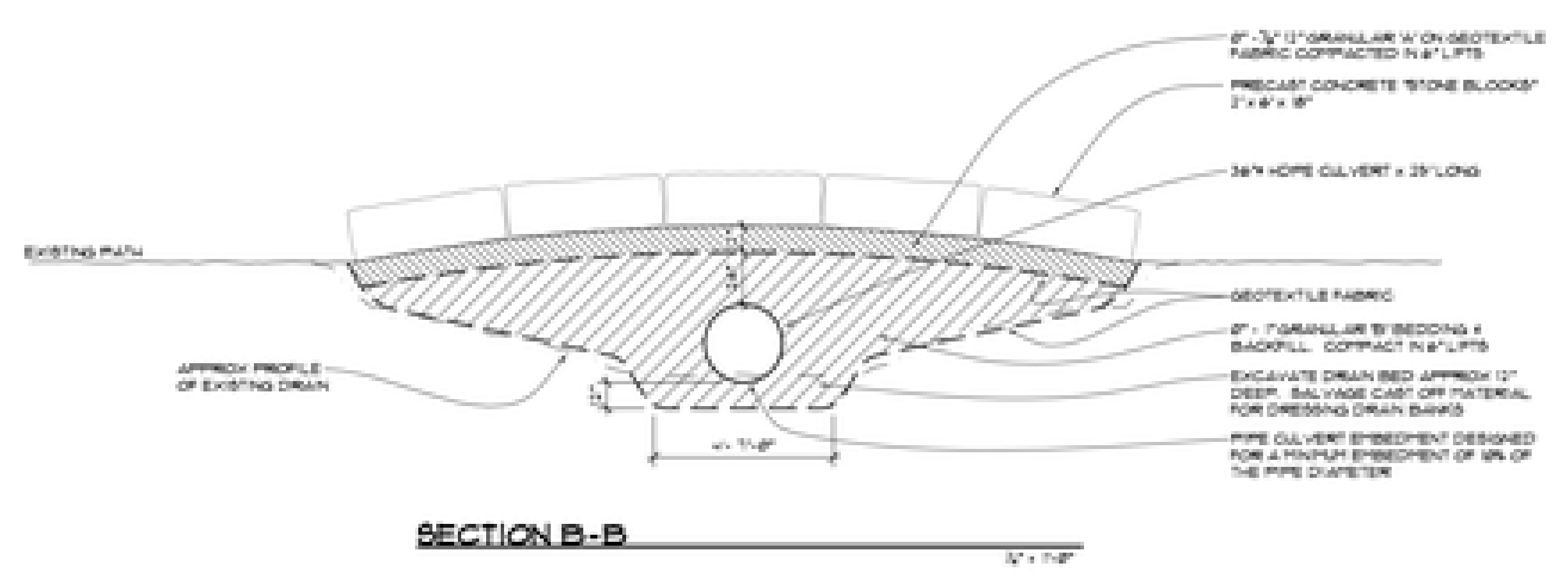
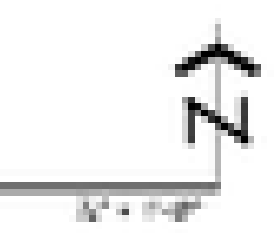
5100 MATCHETTE ROAD, WINDSOR, ONTARIO
 DR 1480
 PLAN 917 PT. BLK. 2



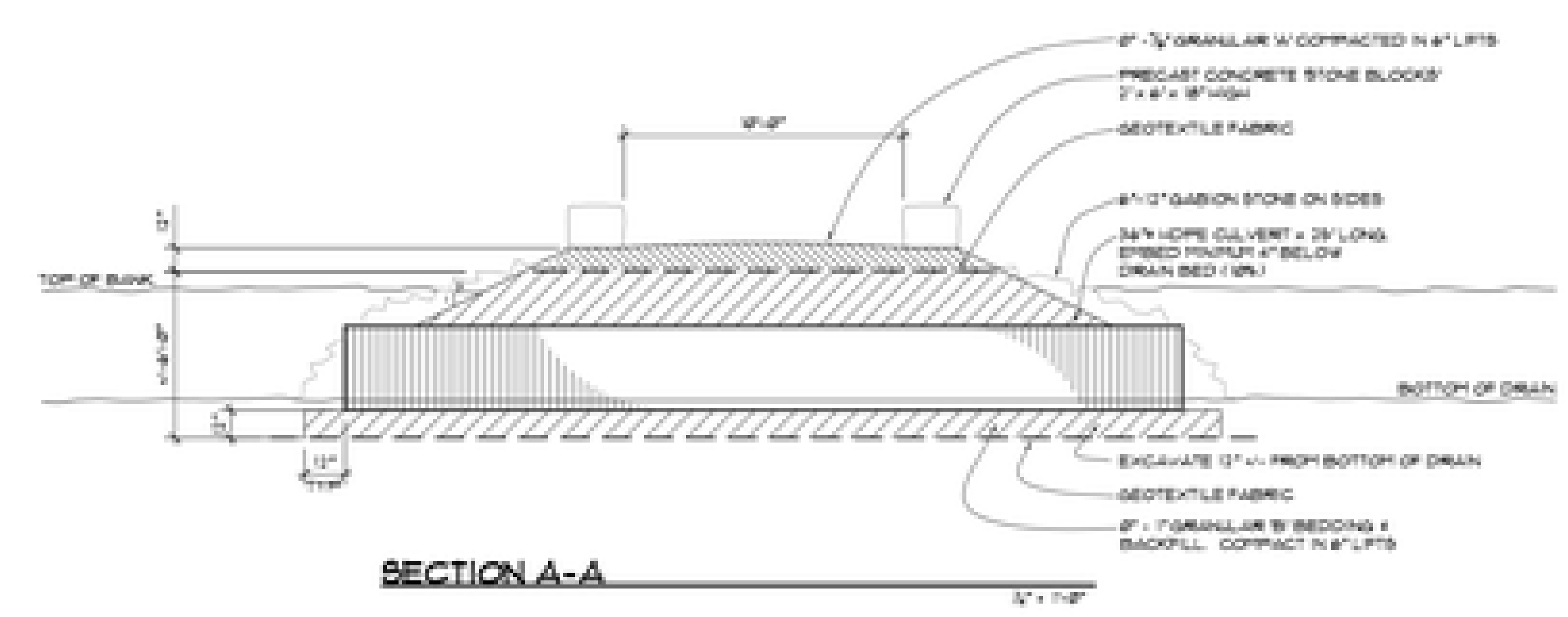
--- CONSTRUCTION ROUTE



PLAN



SECTION B-B

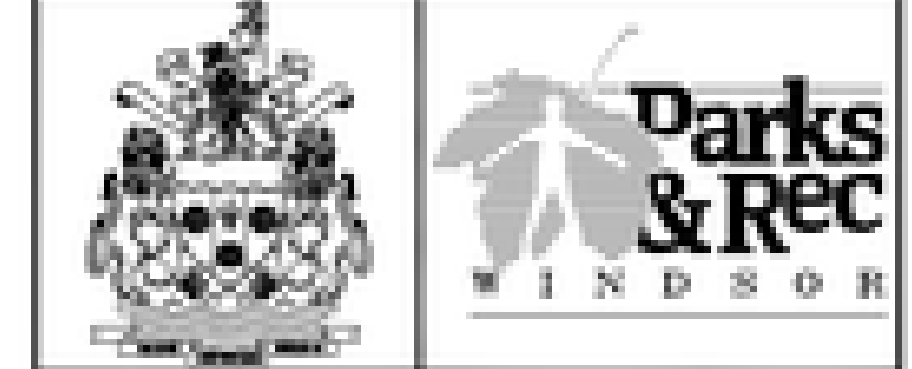


SECTION A-A



DESIGNED BY	ERICA PERITT
DATE	ISSUED FOR
REVISIONS	

Community Services
 Parks and Forestry
 1400 Wellington St. Windsor, Ontario, N9A 5K6 (519) 251-1000



OJIBWAY PARK BRIDGE CONSTRUCTION

PLAN & DETAILS

DATE	FEB 2012	CHECKED	
DESIGN	T. J. B.	APPROVED	
DRAWN	S. P. W.	APPROVED	
CAD FILE		PRINT DATE	

SCALE	AS SHOWN
PROJECT NO.	
SHEET NO.	1 OF 1