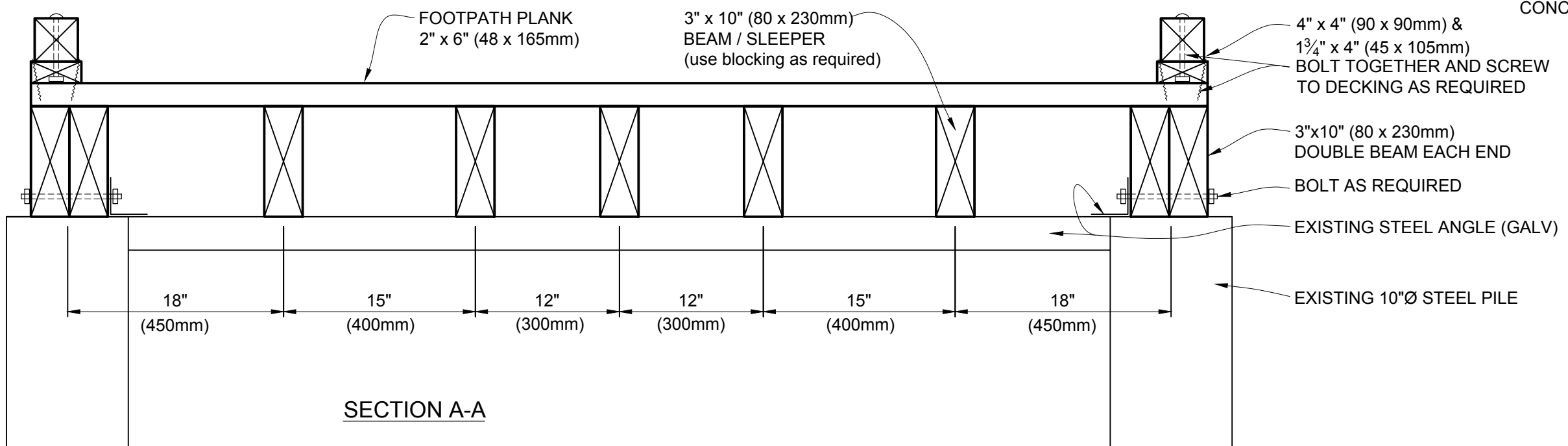


REMOVE EXISTING COMPOSITE DECKING & PRESSURE TREATED SUPPORT STRUCTURE.

NEW COMPOSITE DECKING, COMPOSITE STRUCTURAL MEMBERS, & ALL HARDWARE FOR RECONSTRUCTION WILL BE SUPPLIED BY OWNER

PLAN



SECTION A-A

OJIBWAY NATURE CENTRE - BOARDWALK RECONSTRUCTION

OCTOBER 2019

N.T.S.