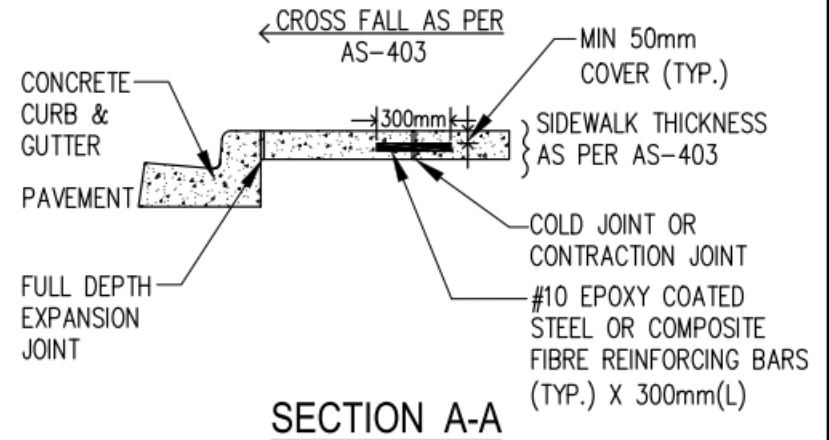


**PLAN VIEW**

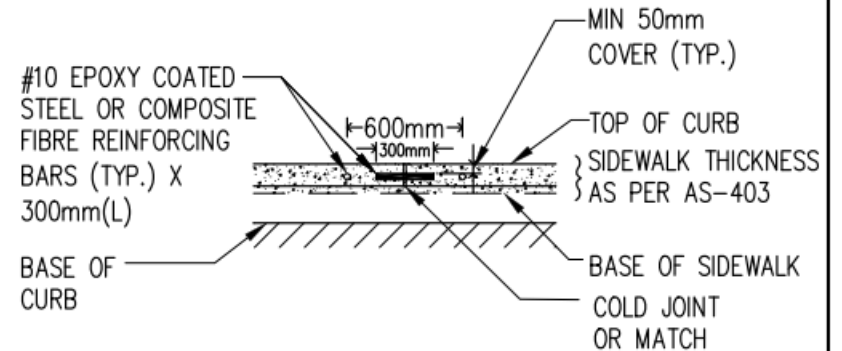
**GENERAL NOTES:**

- 1.) CONCRETE SIDEWALK CONSTRUCTION DETAIL PER AS-401, AS-403
- 2.) AS-552 ONLY APPLICABLE TO SIDEWALK REPAIRS AND TYING IN NEW SIDEWALKS TO EXISTING AS PER THE DIRECTION OF THE CITY ENGINEER.
- 3.) THE INSTALLATION OF DOWELING JOINT ONLY APPLICABLE TO CONCRETE SIDEWALK, EXCLUDING THE JOINT BETWEEN CONCRETE DRIVEWAY AND SIDEWALK.

DRAFT



**SECTION A-A**



**SECTION B-B**

**CITY OF WINDSOR**

ENGINEERING DEPARTMENT

**SIDEWALK JOINTING DETAIL  
(REPAIRS & NEW INSTALLS)**

DR'N BY: J.L, B.C      DATE: NOVEMBER 2013

REVISION: JULY 2023      CH'KD BY: A.L.

CH'KD BY: P.J.U.      PASSED BY:

*Chris Nepszy*  
CHRIS NEPSZY, CITY ENGINEER

**AS-552**