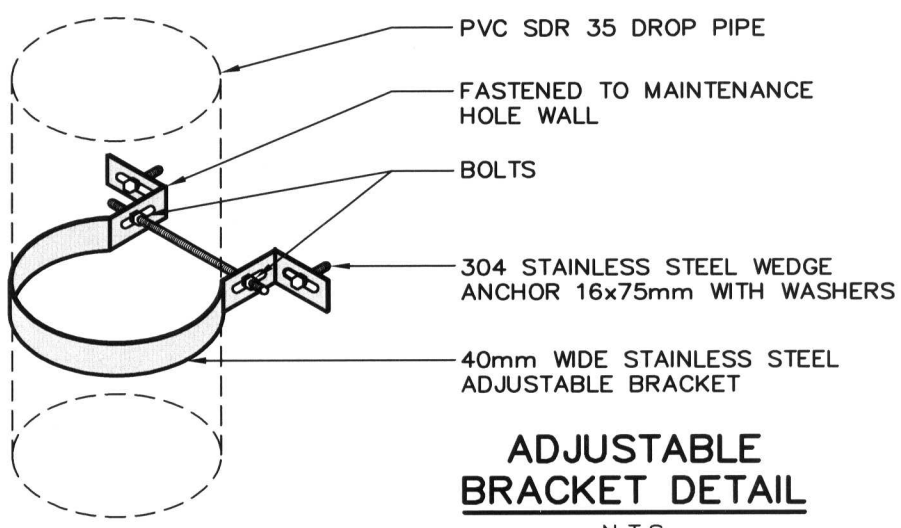


**INSIDE DROP SYSTEM OPEN BOWL
IN NEW MAINTENANCE HOLE**

N.T.S.



**ADJUSTABLE
BRACKET DETAIL**

N.T.S.

NOTES:

1. DROP STRUCTURES ARE REQUIRED IN MAINTENANCE HOLES WHERE THE DIFFERENCE IN ELEVATION BETWEEN INLET & OUTLET INVERTS ARE 600mm OR GREATER.
2. MAINTENANCE HOLE SIZE TO PROVIDE A MINIMUM 1200mm CLEARANCE FROM DROP PIPE TO MAINTENANCE HOLE WALL.
3. DROP PIPE TO BE ONE SIZE SMALLER THAN INCOMING SEWER PIPE, 250mm MINIMUM.
4. ADJUSTABLE BRACKETS TO BE SPACED AT 300mm AND DIRECTLY UNDER ANY BELL ENDS.
5. MAINTENANCE HOLE COVER MUST BE POSITIONED OVER DROP BOWL.
6. BENCHING TO INCLUDE TROUGH FOR DROP PIPE IN DIRECTION OF FLOW OF MAINLINE SEWER

CITY OF WINDSOR
ENGINEERING DEPARTMENT

**INTERNAL DROP
STRUCTURE**

DR'N BY: M.F.	DATE: APRIL, 2000
REVISION: NOV./2014	CH'KD BY: S.C.
CH'KD BY: P.J.U.	PASSED BY:

Mario Sonego
 MARIO SONEGO, CITY ENGINEER

AS-527