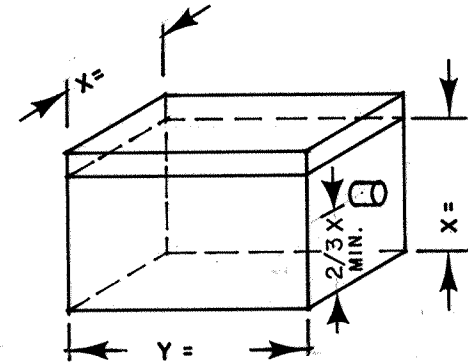


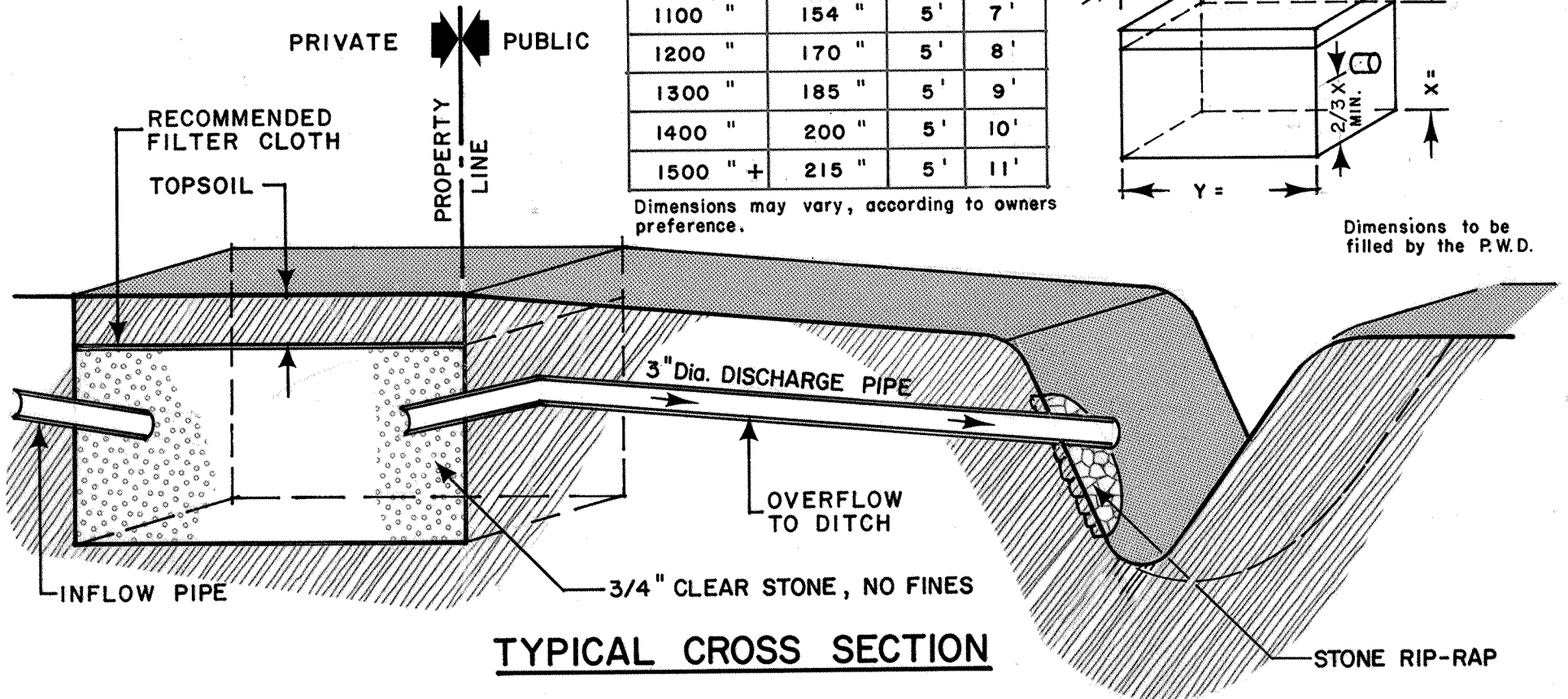
FORMULA = $3(XY) \div 2X^2 = 140\text{ft.}^2$
 MIN. SIZE FOR 1,000 SQ. FT. OF ROOF SURFACE

ROOF AREA	Percolating Surface	X	Y
1000 sq. ft.	140 sq. ft.	4' 9"	4' 9"
1100 "	154 "	5' 7"	5' 7"
1200 "	170 "	5' 8"	5' 8"
1300 "	185 "	5' 9"	5' 9"
1400 "	200 "	5' 10"	5' 10"
1500 " +	215 "	5' 11"	5' 11"

Dimensions may vary, according to owners preference.



Dimensions to be filled by the P.W.D.



TYPICAL CROSS SECTION

NOTES :

1. FOR A HOUSE WITH 1,000 SQ. FT. OF GROUND COVERAGE AREA THE DIMENSIONS OF THE PIT WILL BE 4'-0" WIDE , 4'-0" DEEP BY 9'-0" LONG. THIS SURFACE WILL VARY PROPORTIONATELY WITH GROUND COVERAGE OF EACH INDIVIDUAL HOUSE .
2. PIPE DISCHARGED FROM STONE PIT INTO THE DITCH SHOULD BE PLACED HIGH ON BANK.
3. INSPECTION OF STONE PIT SHALL BE CARRIED OUT BY P.W.D.

CITY OF WINDSOR DEPARTMENT OF PUBLIC WORKS	
STONE PIT	
DRAWN BY : T.R.	DATE : JUNE , 1986
REVISION : DEC.1, 1986	CHECKED BY : C.P.M.
CHECKED BY : L.E.B.	PASSED BY : <i>[Signature]</i>
<i>[Signature]</i> COMMISSIONER OF WORKS	
AS-514	