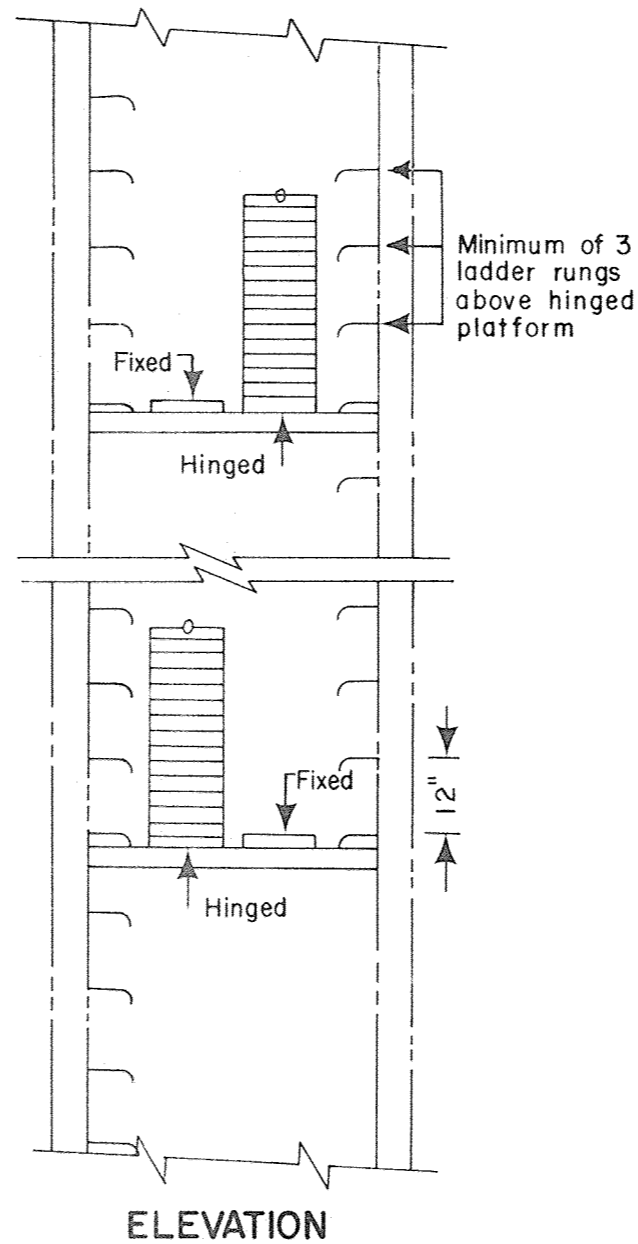


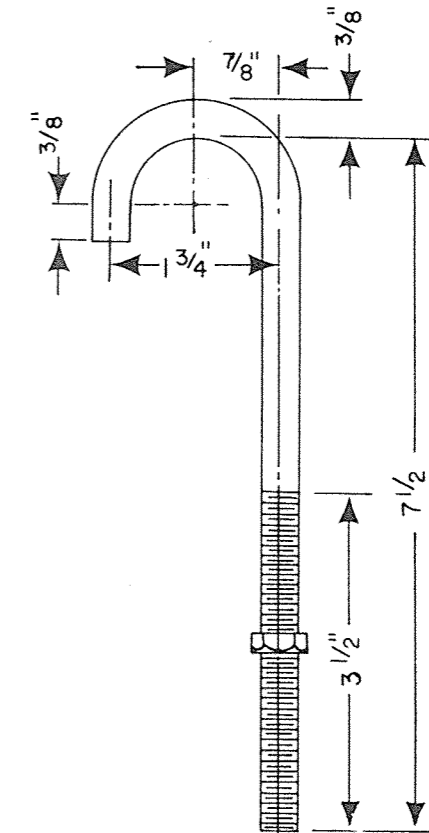
PLAN



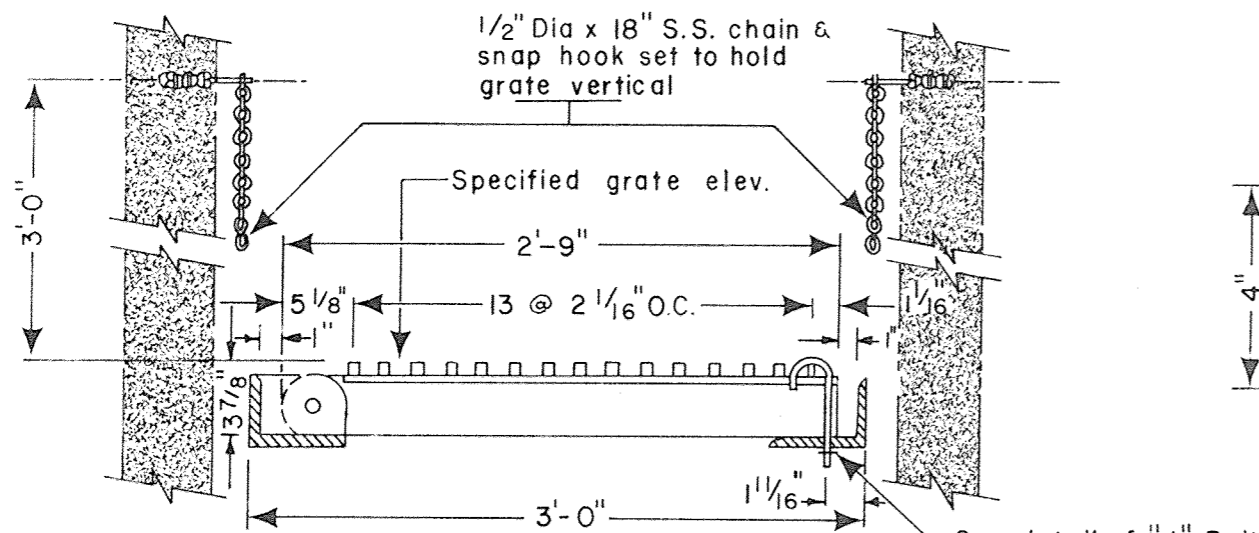
ELEVATION

NOTES:

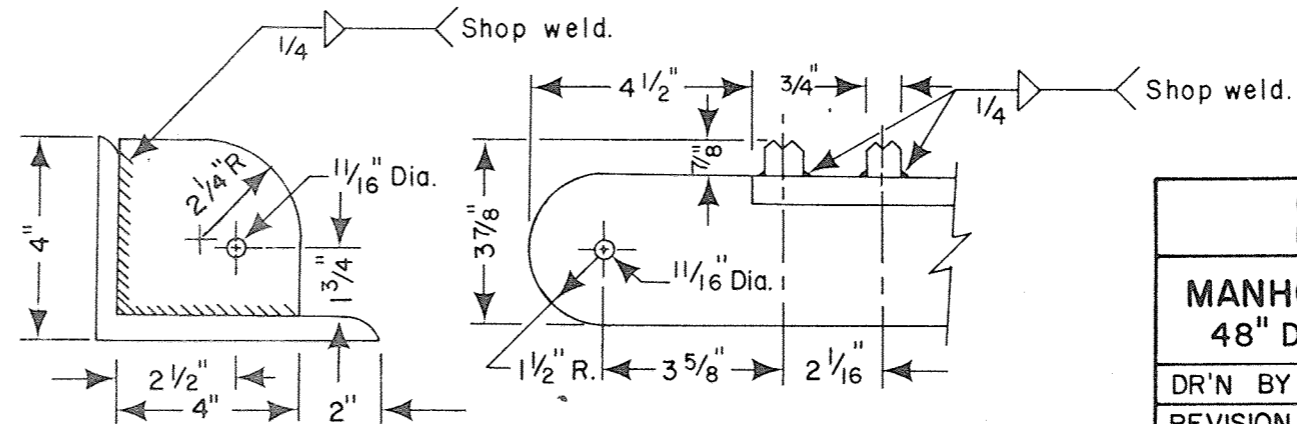
1. Aluminum to be of approved alloy and conforming to standard No.157 C.S.A.
2. At all points where aluminum and concrete surfaces come into contact (ends of base angles), Aluminum surfaces to be coated with 2 coats of static asphalt paint.
3. Manhole depth between 16' & 32', grate to be placed at mid point. Manhole depth between 32' & 48', grate to be placed at third points. Platforms are required by law for Manhole depths greater than 16'.
4. All 4" x 6" x 1/2" Aluminum angle supports to be installed during precasting of Manhole section.
5. S.S. denotes Stainless Steel.



DETAIL OF "J" BOLT



SECTION A-A



ENLARGED VIEW OF HINGE

CITY OF WINDSOR DEPARTMENT OF PUBLIC WORKS	
MANHOLE SAFETY PLATFORM 48" DIAMETER CIRCULAR STACK	
DR'N BY : E. STERGIUO	DATE : AUGUST, 1977
REVISION :	CH'KD BY : P. Y. M.
CH'KD BY : <i>am</i>	PASSED BY : <i>we</i>
<i>B. P. Hauch</i> COMMISSIONER OF WORKS	AS-320