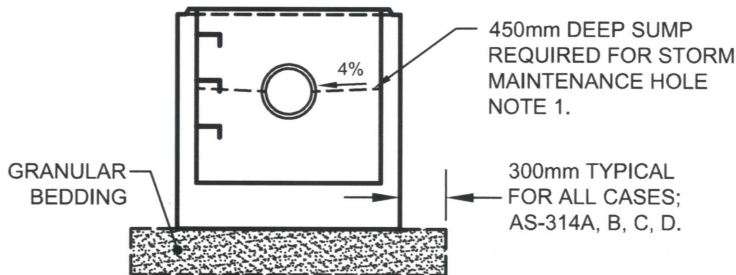


*MEASURED TO BENCHING OR SUMP, WHICHEVER IS APPLICABLE

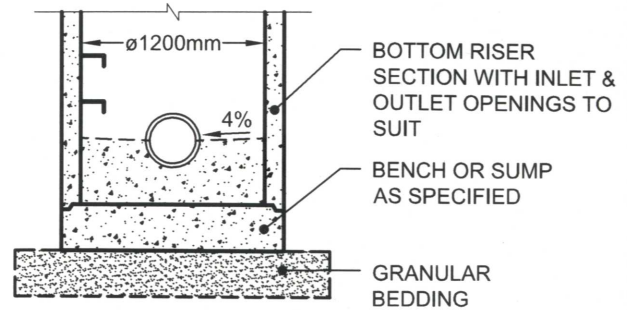


SUMP DETAIL

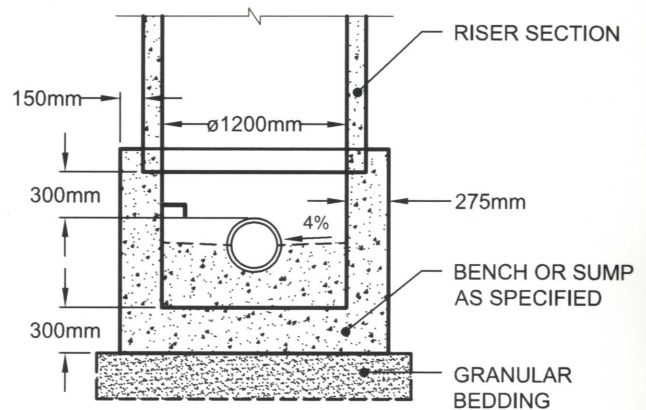
NOTES:

1. THE SUMP IS MEASURED FROM THE LOWEST INVERT.
2. COMPACTED GRANULAR 'A' BACKFILL SHALL BE PLACED TO A MINIMUM THICKNESS OF 300.0mm ALL AROUND THE MAINTENANCE HOLE.
3. PRECAST CONCRETE COMPONENTS SHALL BE ACCORDING TO OPSD 701 SERIES.
4. PIPE SUPPORT SHALL BE CLASS 'A' BEDDING TO FIRST PIPE JOINT BEYOND MANHOLE (RIGID PIPE) OR A FLEXIBLE JOINT WITHIN 900mm OF MANHOLE WALL (RIGID OR FLEXIBLE PIPE) WITH SEWER STONE BEDDING.
5. MAINTENANCE HOLE STEPS IN ACCORDANCE WITH AS-305.

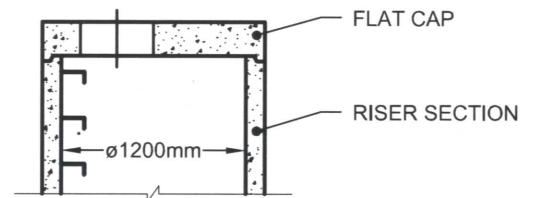
ALTERNATIVES



A. PRECAST SLAB BASE



B. CAST-IN-PLACE BASE



C. PRECAST FLAT CAP

CITY OF WINDSOR
ENGINEERING DEPARTMENT

PRECAST MAINTENANCE HOLE 1200mm DIAMETER

DRAWN BY: N.B.

DATE: MARCH, 2017

REVISED: -

CHECKED BY: P.U.

CHECKED BY: M.C.

PASSED BY: M.W.

CITY ENGINEER

AS-314A