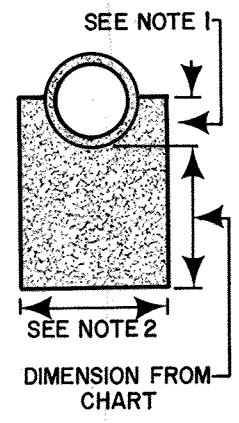


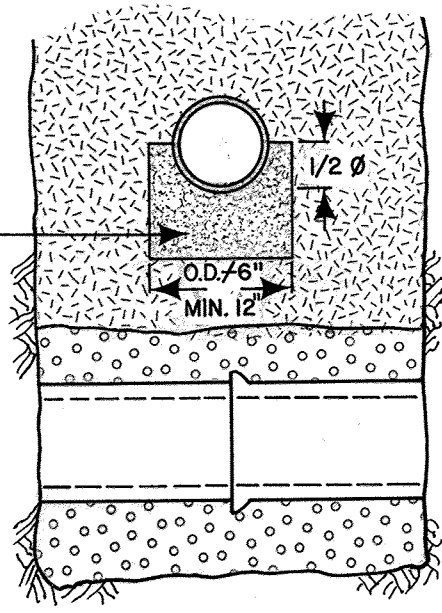
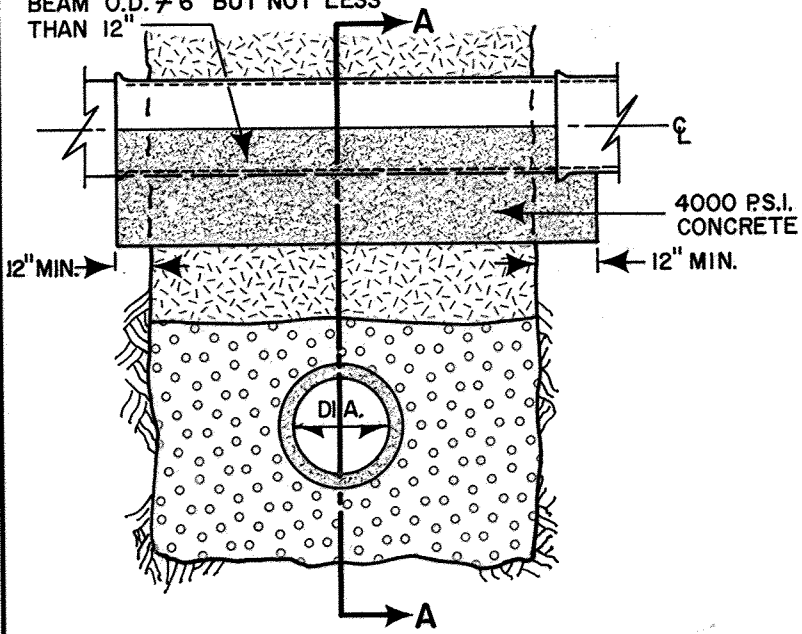
DEPTH (FT.) BELOW SURFACE	WIDTH OF TRENCH (FT.)						
	2	4	6	8	10	12	14
4							
6							
8							
10							
12							
14							

2-#5 BARS 6" $\frac{1}{8}$ " INTERMEDIATE GRADE BILLET STEEL

4-#7 BARS 2 $\frac{1}{2}$ " $\frac{1}{8}$ " INTERMEDIATE GRADE BILLET STEEL



WIDTH OF CONCRETE SUPPORT BEAM O.D. \neq 6" BUT NOT LESS THAN 12"



SECTION A-A

NOTE:

1. PIPE TO BE EMBEDDED IN CONCRETE TO HALF OF THE PIPE DIAMETER AND CONCRETE SUPPORT TO EXTEND TO NEAREST PIPE JOINT EACH WAY.
2. WIDTH OF CONCRETE SUPPORT BEAM TO BE OUTSIDE DIAMETER \neq 6" BUT NOT LESS THAN 12".
3. BEARING OF SUPPORT BEAM ON UNDISTURBED EARTH SHALL BE NOT LESS THAN 12".
4. INSULATE UTILITY LINES AS REQUIRED.

CITY OF WINDSOR DEPARTMENT OF PUBLIC WORKS	
BEAMS SUPPORTS FOR PIPES CROSSING TRENCH	
DR'N BY : E. STERGIU	DATE : JULY 9/1975
REVISION :	CH'KD BY : <i>[Signature]</i>
CH'KD BY : <i>[Signature]</i>	PASSED BY : <i>[Signature]</i>
<i>A. Sahm</i> COMMISSIONER OF WORKS	
AS-312	