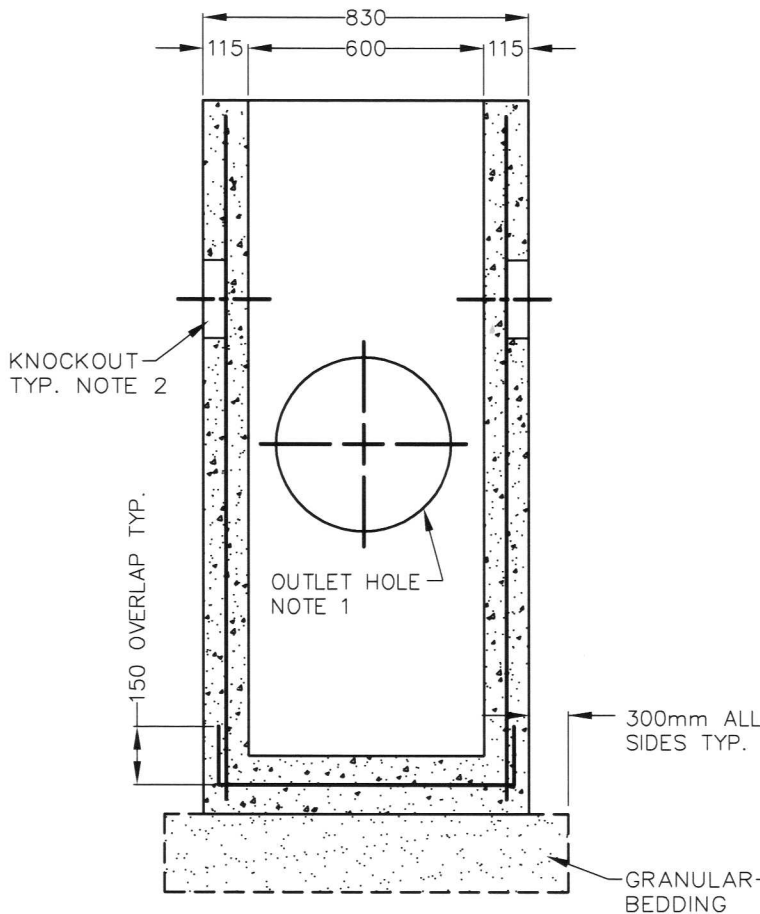
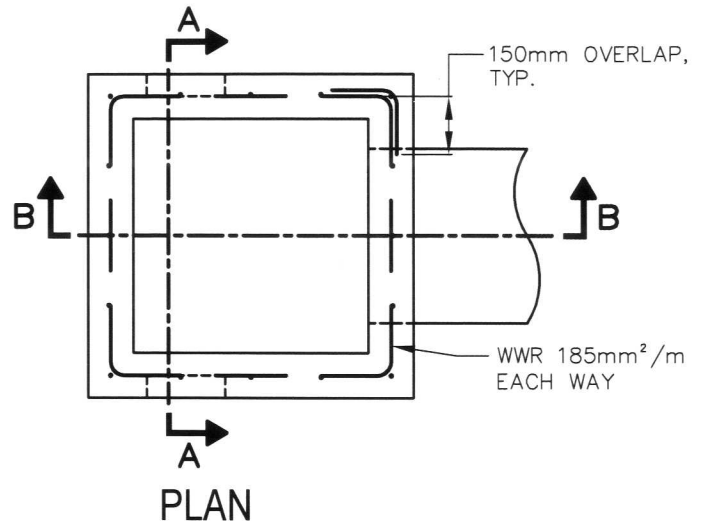
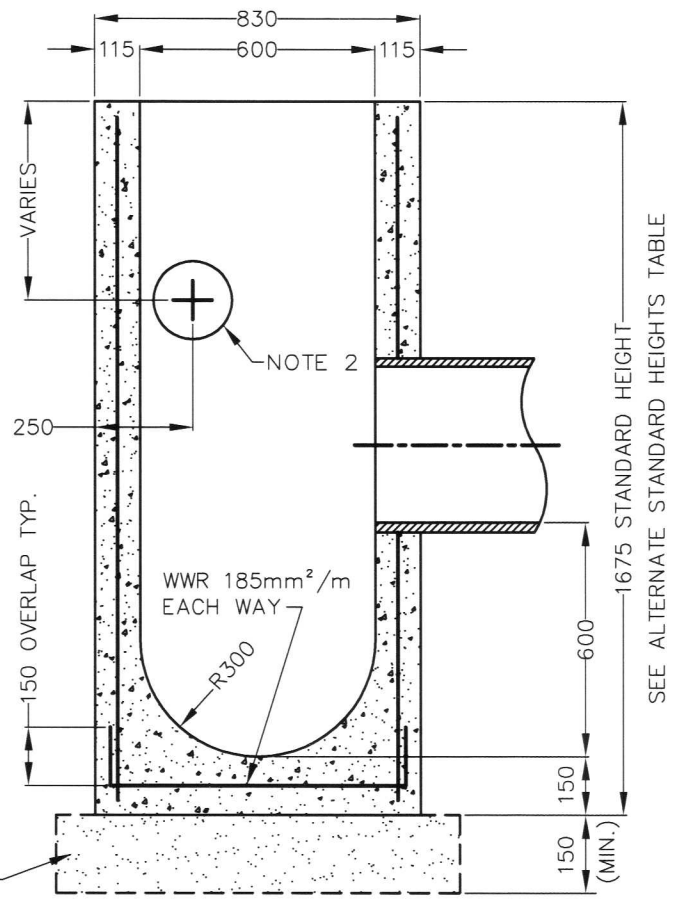


ALTERNATE STANDARD HEIGHTS	
ALTERNATE	DIMENSION
A	1980
B	1830
* C	1675
D	1520
E	1380

* STANDARD HEIGHT



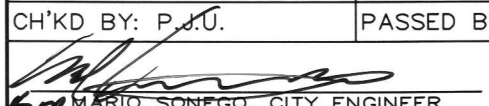
SECTION A-A



SECTION B-B

NOTES:

1. OUTLET HOLE SIZE 525mm DIAMETER MAXIMUM, LOCATION AS REQUIRED.
2. 200mm DIAMETER KNOCKOUT TO ACCOMODATE SUBRAIN. KNOCKOUT SHALL BE 60mm DEEP. (2 OR 3 KNOCKOUTS)
- A. CENTER REINFORCING IN BASE SLAB AND WALLS ±20mm.
- B. UNSHRINKABLE BACKFILL TO BE USED AROUND ALL CATCH BASIN INSTALLATIONS.
- C. FRAME, GRATE AND ADJUSTMENT UNITS SHALL BE INSTALLED ACCORDING TO APPLICABLE CITY OF WINDSOR STANDARD SPECIFICATION.
- D. PIPE SUPPORT SHALL BE ACCORDING TO APPLICABLE CITY OF WINDSOR STANDARD SPECIFICATION.
- E. ALL DIMENSIONS ARE NOMINAL.
- F. ALL DIMENSIONS ARE IN MILLIMETERS UNLESS OTHERWISE SHOWN.

CITY OF WINDSOR ENGINEERING DEPARTMENT	
600mm x 600mm PRECAST CONCRETE CATCH BASIN	
DR'N BY: M.F.	DATE: AUGUST, 2014
REVISION:	CH'KD BY: A.L.
CH'KD BY: P.J.U.	PASSED BY:
 MARIO SONEGO, CITY ENGINEER	
AS-309A	