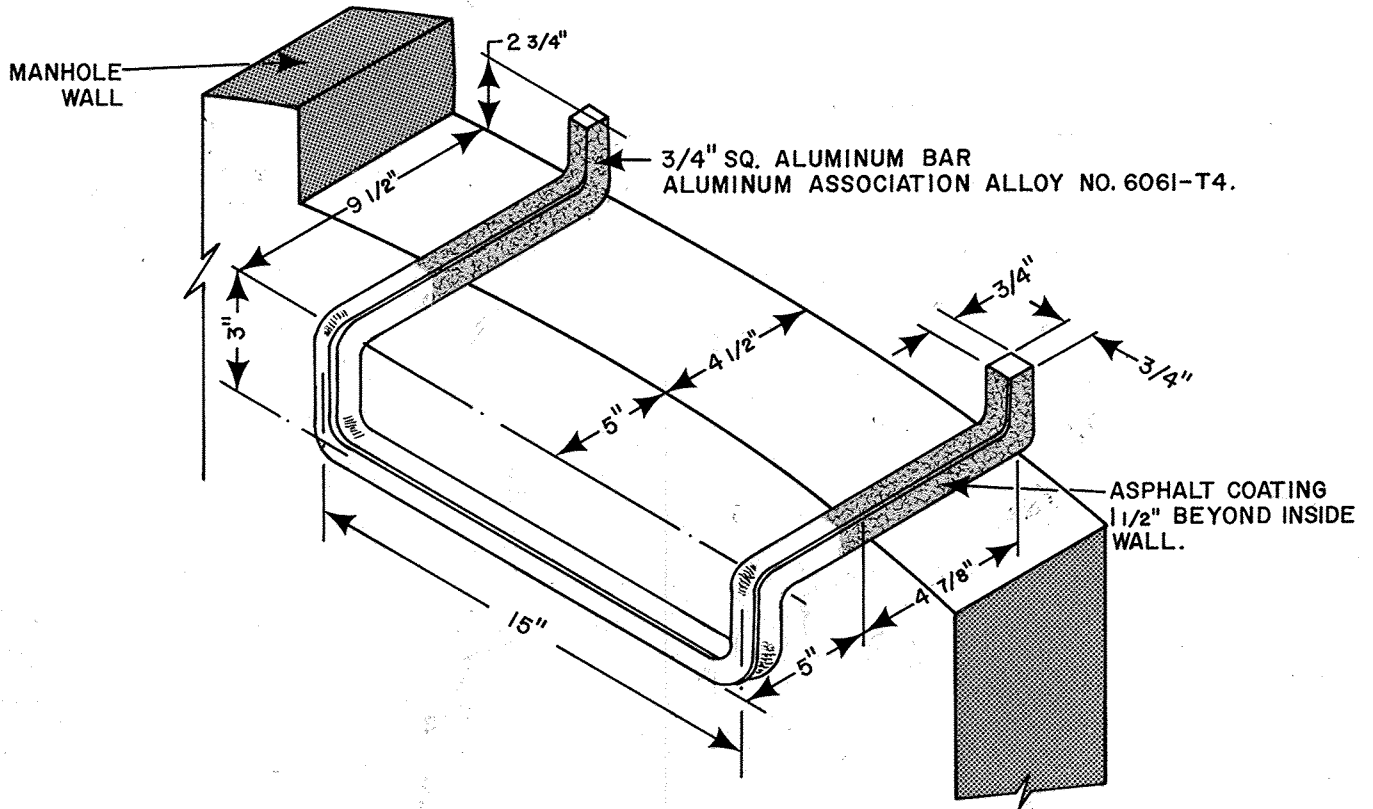


**NOTE:**

MANHOLE STEP TO BE INSTALLED IN PRECAST MANHOLE SECTION BEFORE LOWERING INTO TRENCH.



CITY OF WINDSOR DEPARTMENT OF PUBLIC WORKS	
DETAIL OF TYPICAL MANHOLE STEP	
DR'N BY : E. STERGIU	DATE : JUNE 9 / 1975
REVISION :	CH'KD BY : <i>ATM</i>
CH'KD BY : <i>cm</i>	PASSED BY : <i>Val</i>
<i>H. Bayne</i> COMMISSIONER OF WORKS	AS-305