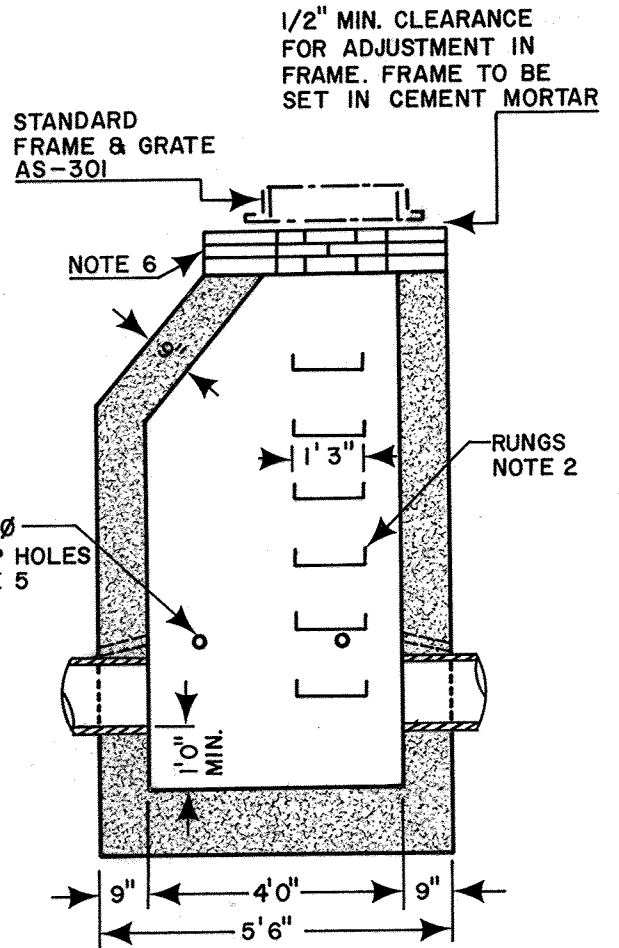


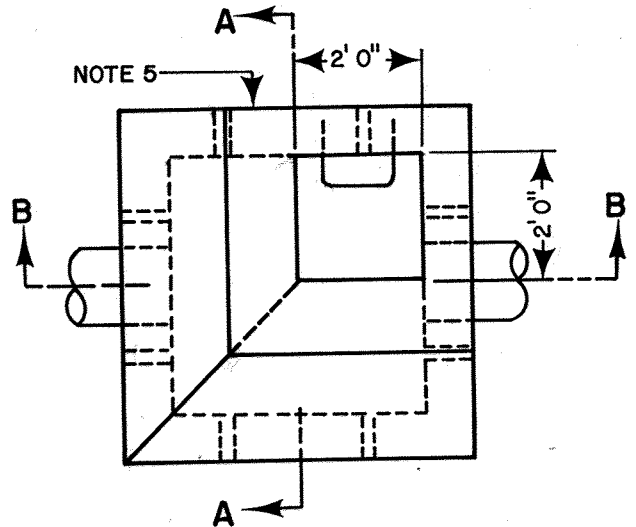
SECTION A-A



SECTION B-B

NOTES

1. GRANULAR BACKFILL TO BE PLACED TO MIN. THICKNESS OF 1 FT. ON ALL SIDES
2. LADDER RUNGS TO BE AS PER AS-305
3. ALL CONCRETE WORK TO BE 3000 P.S.I.
4. WEEP HOLES SHALL BE PLACED SO THAT THE BOTTOM OF THE WEEPER ON THE INSIDE AND THE TOP OF THE WEEPER ON THE OUTSIDE ARE LEVEL.
5. VERTICAL WALL CONTAINING LADDER RUNGS TO BE PLACED ADJACENT TO EDGE OF PAVEMENT.
6. FINAL ADJUSTMENT TO BE MADE USING A MINIMUM 3 COURSES OF FIRE BRICK MORTARED INTO PLACE.



CITY OF WINDSOR DEPARTMENT OF PUBLIC WORKS	
4'X4' CATCH BASIN-MANHOLE FOR SEWER LESS THAN 48" Ø	
DR'N BY : E. STERGIU	DATE : MAY 22/1975
REVISION :	CH KD BY : <i>[Signature]</i>
CH'KD BY : <i>[Signature]</i>	PASSED BY : <i>[Signature]</i>
<i>H. Payne</i> COMMISSIONER OF WORKS	
AS-303	