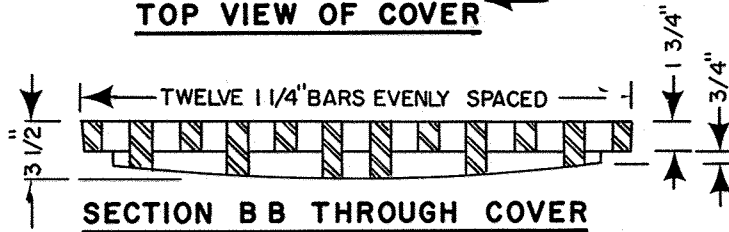
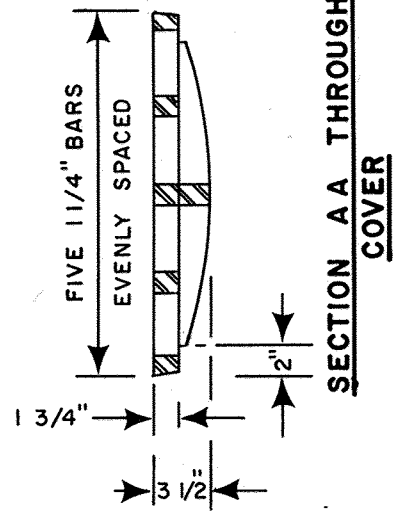
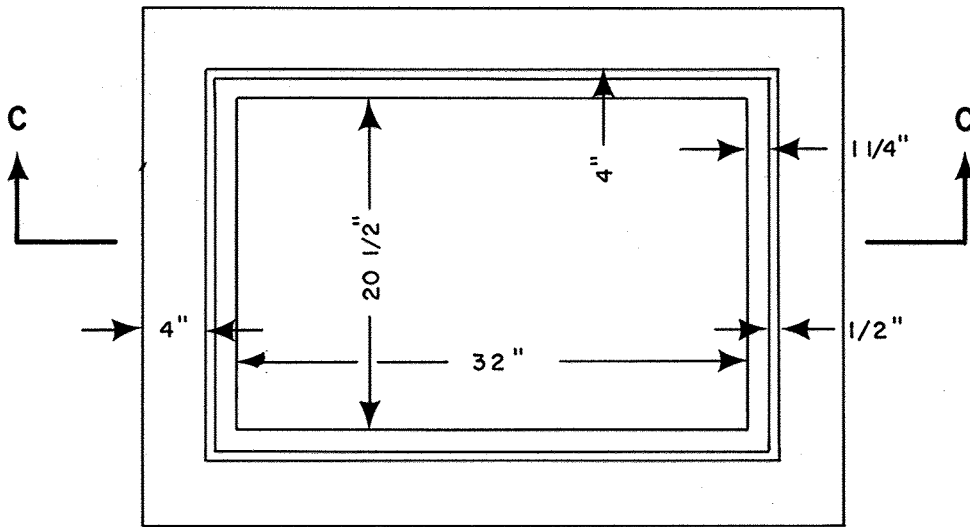


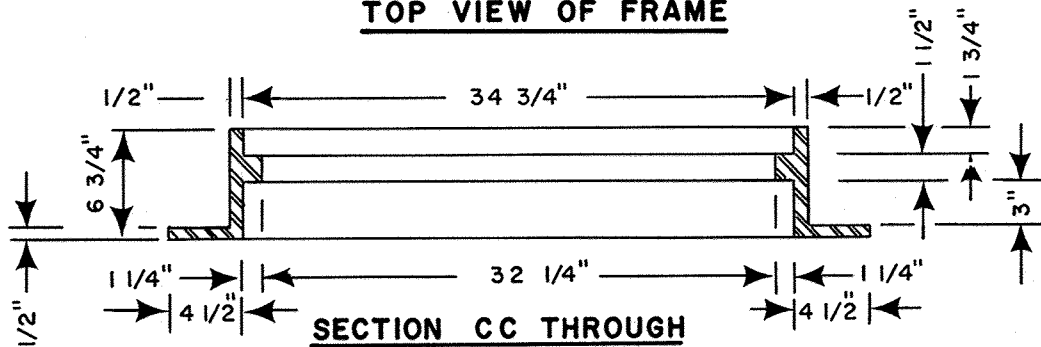
TOP VIEW OF COVER



SECTION BB THROUGH COVER



TOP VIEW OF FRAME



SCALE : 1" = 1'

CITY OF WINDSOR DEPARTMENT OF PUBLIC WORKS	
DOUBLE CATCH BASIN FRAME & COVER	
DRAWN BY: D.I.H.	DATE: MARCH 1975
REVISION: MARCH 1975	CHECKED BY: <i>Roy</i>
CHECKED BY: <i>AM</i>	PASSED BY: <i>H.P.H.</i>
<i>H. Payne</i> COMMISSIONER OF WORKS	
AS-302	