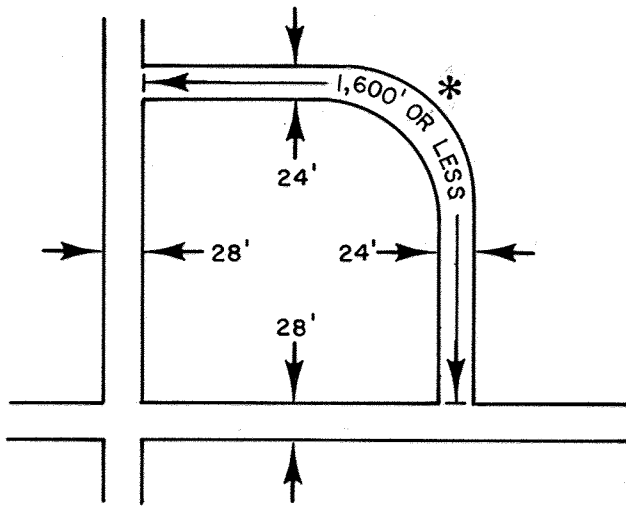
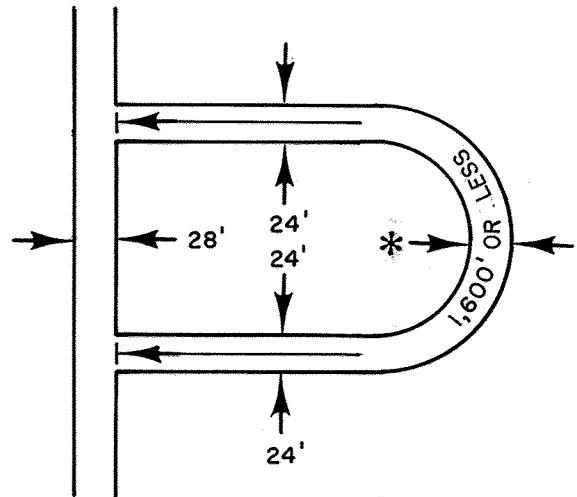


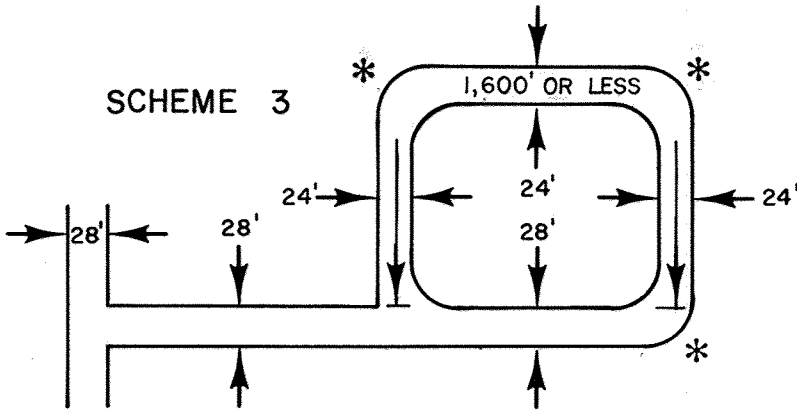
SCHEME 1



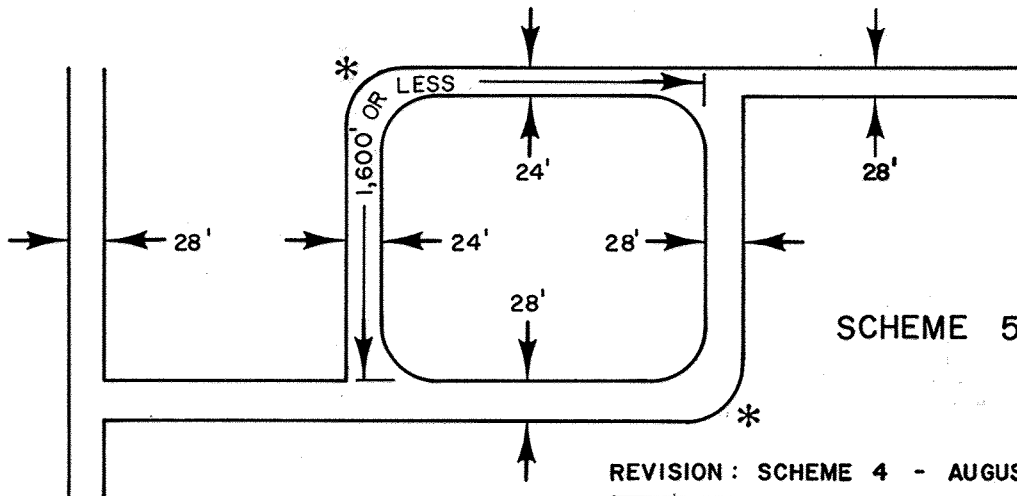
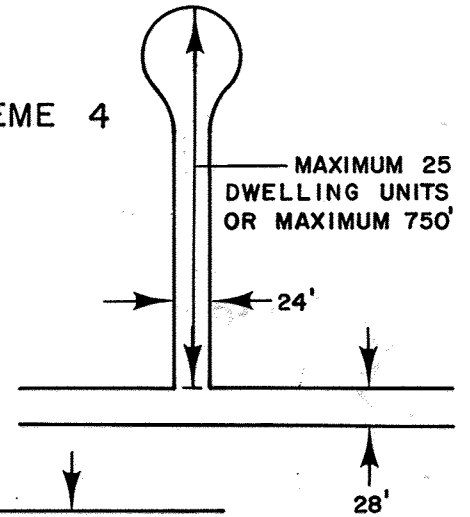
SCHEME 2



SCHEME 3



SCHEME 4



SCHEME 5

REVISION : SCHEME 4 - AUGUST 1989 - L.Carkner

* NOTE : WIDENING AT CURVED PORTIONS TO BE DESIGNATED BY THE ENGINEER.

CITY OF WINDSOR DEPARTMENT OF PUBLIC WORKS	
VARIOUS STREET ALIGNMENTS PERMITTING THE USAGE OF 24 FT. WIDE PAVEMENTS	
DR'N BY : S.C.L.	DATE : NOV. 1973
REVISION : JAN. 1975	CH'KD BY : <i>ofm</i>
CH'KD BY : <i>ofm</i>	PASSED BY : <i>ofm</i>
<i>H. O'aym</i> COMMISSIONER OF WORKS	
AS - 228	