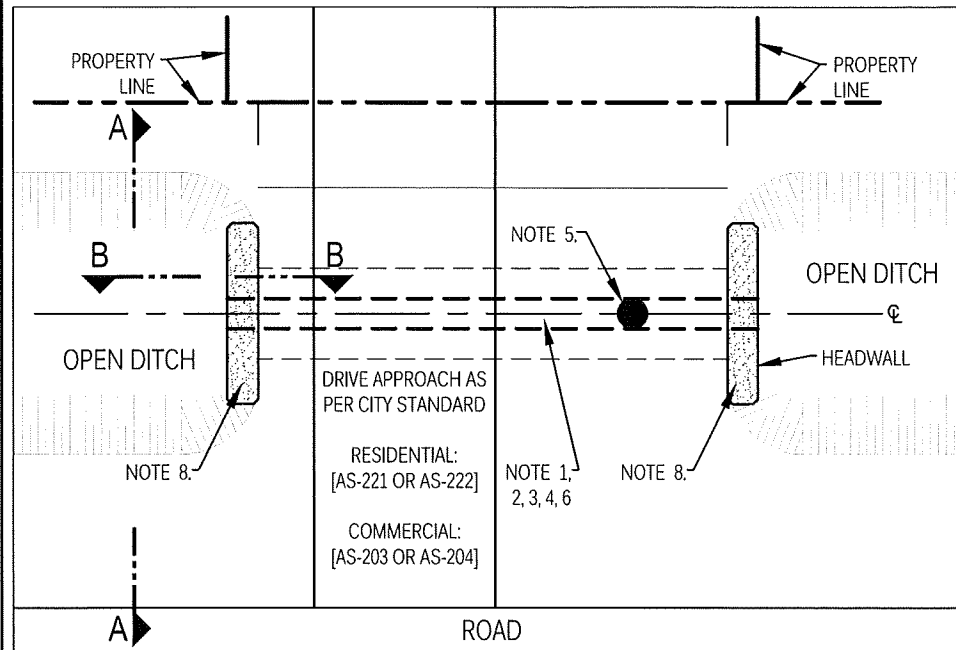
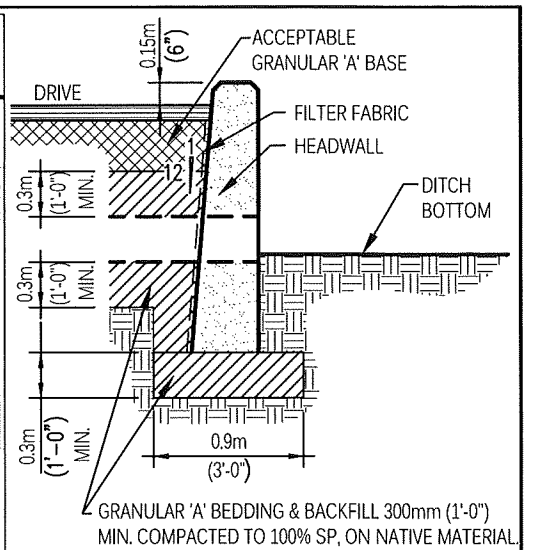


PLAN



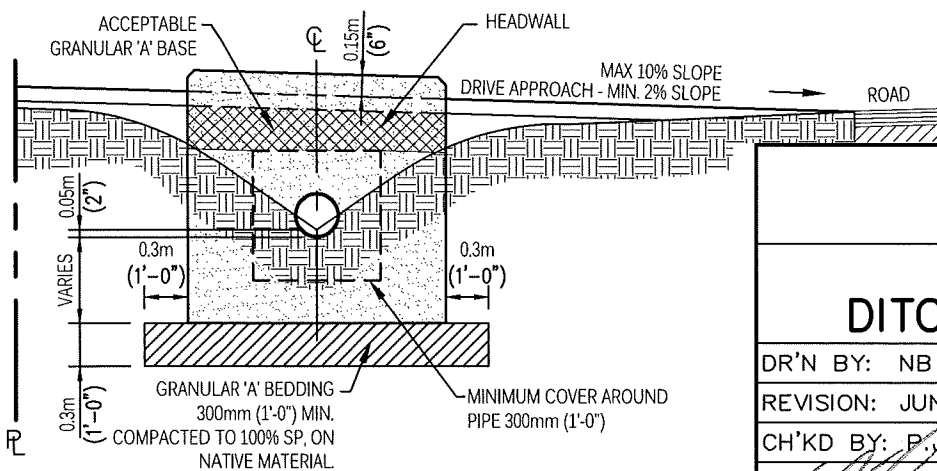
PLAN



SECTION B-B

GENERAL NOTES:
(IN ACCORDANCE WITH CITY OF WINDSOR STANDARD SPECIFICATION S-11)

- 1.) PIPE MATERIAL - PVC (POLYVINYL CHLORIDE) OR HDPE (HIGH DENSITY POLYETHYLENE) OR CONCRETE PIPE.
- 2.) MATCH THE EXISTING UPSTREAM AND DOWNSTREAM CULVERT SIZE, WHICHEVER IS GREATER. MINIMUM 375mm (15") PIPE.
- 3.) PIPE TO BE EMBEDDED A MINIMUM OF 50mm (2"), OR 10% OF PIPE DIAMETER, WHICHEVER IS GREATER.
- 4.) MINIMUM PIPE COVER TO BE 300mm (1'-0") OF GRANULAR 'A' AROUND PIPE.
- 5.) MINIMUM 600mm (24") DIAMETER CONCRETE OR HDPE INLINE CATCHBASIN WITH FRAME AND COVER AS PER AS-301 IS REQUIRED AT CENTRELINE OF LOT WITH ADDITIONAL CATCHBASINS REQUIRED EVERY 12.2m (40') DITCH/SWALE. ROADWAY WITH CURB AND GUTTER AND/OR DEFINED SHOULDER STANDARD COVER PERMITTED.
- 6.) MATCH UPSTREAM/DOWNSTREAM FLOW OF DITCH.
- 7.) CULVERT TO NOT EXTEND BEYOND PROPERTY LINE.
- 8.) JUTE BAG HEADWALLS WITH CONCRETE CAP FOR PIPE DIAMETER LESS THAN 450mm (18"), AND PRE-CAST OR ENGINEERED DESIGNED CONCRETE HEADWALLS APPROVED BY THE CITY ENGINEER FOR PIPE DIAMETER GREATER THAN 450mm (18") IN ACCORDANCE WITH AS-209.



SECTION A-A

CITY OF WINDSOR
ENGINEERING DEPARTMENT

**BACKFILL OF
DITCH/SWALE/TRENCH**

DR'N BY: NB	DATE: SEPTEMBER, 2015
REVISION: JUNE 2018	CH'KD BY: A.B.
CH'KD BY: P.J.U.	PASSED BY:

[Signature]
CITY ENGINEER

AS-209A