



THE CORPORATION OF THE CITY OF WINDSOR
OFFICE OF THE CITY SOLICITOR

ALEX VUCINIC
Manager of Purchasing

Elaine Castellan
Purchasing Supervisor

(519) 255-6272
TELEPHONE NUMBER

ADDENDUM NO. 1
TENDER NO. 4-19
AUBIN ROAD REHABILITATION

February 15, 2019

This addendum amends and forms part of the Tender Documents. The bidder shall insert the addendum behind the cover page of the Tender Documents.

REVISIONS TO SPECIFICATIONS:

Delete Section 10, Contract Bonding and replace with Section 10, Performance Security & Labour & Material Security below;

- 10.1 Attach to the Bid Form evidence that if awarded the Contract the Bidder will provide the **performance bond** required by the Contract. Such evidence shall be in the form of one of the following:
 - 10.1.1 an agreement to bond or surety's consent issued by a surety licensed to conduct surety and insurance business in Canada or in Ontario for a **performance bond** in the Form 32 Performance Bond under section 85.1 of the Construction Act. in the amount of fifty percent (50%) of the Total Tender Price. If a Bidder proposes another form of performance bond, it shall propose the alternative form following the process described in Section 4 of these Instructions to Bidders. The agreement to bond / surety's consent shall remain valid for at least the duration of the Irrevocability Period.
- 10.2 Attach to the Bid Form evidence that if awarded the Contract the Bidder will provide the **labour & material payment bond** required by the Contract. Such evidence shall be in the form of one of the following:
 - 10.2.1 an agreement to bond or surety's consent issued by a surety licensed to conduct surety and insurance business in Canada or in Ontario for a **labour & material payment bond** in the Form 31 Labour and Material Payment Bond under section 85.1 of the Construction Act. in the amount of fifty percent (50%) of the Total Tender Price. If a Bidder proposes another form of labour & material payment bond, it shall propose the alternative form following the process described in Section 4 of these Instructions to Bidders. The agreement to bond / surety's consent shall remain valid for at least the duration of the Irrevocability Period.

REVISIONS TO UNIT PRICING SCHEDULE:

- Part B, item 1a,b (300mm diameter) will be changed to PVC CSA B182.2, SDR 35 to match drawings (S-2068) - attached
- Part C, item 16, quantity changed to 300 S.M. - attached
- Part C, item 22, quantity changed to 3,700 S.M. - attached
- Part C, item 37 (added item) – attached
- Part A, Item 3 – (wording added) Sidewalk for backfill included in linear metre price. ITEM 13, PART C - attached
- Part B, Item 3 – (wording added) Sidewalk for backfill included in linear metre price. ITEM 13, PART C - attached
- Part B, Item 6 – change from 525mm to 600mm - attached
- Part D, Item 7 – disregard old item 7 and replace with attached new item 7- attached

DRAWING CLARIFICATIONS:

- The sewer elevations and profile on drawings S-2068 sheet 1 is correct. See sheet 4 for changes – attached for reference

Except for the contents of this addendum, all other terms and conditions of this tender remain the same.

END OF ADDENDUM NO. 1

Yours truly,

THE CORPORATION OF THE CITY OF WINDSOR

Elaine Castellan

Elaine Castellan
Purchasing Supervisor

EC/jm

**ADDENDUM NO. 1
TENDER NO. 4-19
AUBIN ROAD REHABILITATION**

February 15, 2019

I hereby acknowledge receipt of Addendum No. 1 to the Tender No. 4-19 (11 pages).

The information contained therein is hereby noted and account of same will be taken in our tender cost.

This information was received on the _____ day of _____, 20_____.

Signature

Name (Printed)

Company Name

***NOTE: You are required to acknowledge this addendum with your TENDER submission.**

**PLEASE FAX BACK TO (519) 255-9891 OR E-MAIL @ purchasing@citywindsor.ca SIGNED
ACKNOWLEDGEMENT SHEET ASAP**

Attn: Purchasing Department

CITY OF WINDSOR
PUBLIC WORKS - ENGINEERING DEPARTMENT
TENDER 04-19 - AUBIN ROAD
SEWER AND PAVEMENT REHABILITATION
TECUMSEH ROAD EAST TO GUY STREET

UNIT PRICING SCHEDULE

PART A: SANITARY SEWER CONSTRUCTION

ITEM NO.	SPEC PROV	SUPP SPEC	DESCRIPTION	ESTIMATED QUANTITY	UNITS	UNIT PRICE	AMOUNT
3	3, 5, 9	1, 4, 7, 8, 9, 16, 18, 22, 26, 27	Excavate for, supply and install 150mm diameter PVC sanitary private drain connections, including support and backfill, from the property line to the proposed sanitary sewer, by open cut or auguring methods. <u>Sidewalks for backfill included in linear metre price.</u> Note: The Unit Price for Item #3 above to include the following: (i) Removal and disposal of the existing connection. (ii) Connection to the existing connection at the property line. (iii) If, due to conflict, it is necessary to locate P.D.C. pit/trench area on private property, the pit/trench must be compacted using the water jetting method. (iv) The cost of all surface restoration required for P.D.C. pit/trench areas, located on private property, is to be included in the Unit Price bid per metre of connection. (v) The Contractor should note that full granular backfill is required beneath lead walks, and driveways; however, this material will be paid under separate item, as well as restoration. (ITEM 13, PART "C")	400.0	L.M.	\$	\$
4	3, 5, 9	18	Excavate for, supply and install new sanitary PVC Tee cleanout as per AS-325, including backfill, at property line.	38.0	Each	\$	\$
5	3	18	Supply and install metal PDC cap for cleanout located in driveway / sidewalk.	23.0	Each	\$	\$
6			CONTINGENCY ALLOWANCE				\$ 35,000.00
TOTAL TENDER PRICE PART "A"						\$	
(INCLUDING CONTINGENCY, EXCLUDING HST)							

CITY OF WINDSOR
PUBLIC WORKS - ENGINEERING DEPARTMENT
TENDER 04-19 - AUBIN ROAD
SEWER AND PAVEMENT REHABILITATION
TECUMSEH ROAD EAST TO GUY STREET

UNIT PRICING SCHEDULE

PART B: STORM SEWER CONSTRUCTION

ITEM NO.	SPEC PROV	SUPP SPEC	DESCRIPTION	ESTIMATED QUANTITY	UNITS	UNIT PRICE	AMOUNT
1	10,19, 20, 21	4, 7, 8, 26	Sawcut, excavate, and supply and place new pipe, including bedding, full Granular "A" trench backfill, connect to existing and/or new manholes, including bedding and trench backfill, but excluding surface restoration, as indicated on the contract drawings, at the following locations: * <u>PVC CSA B182.2, SDR 35:</u> <u>300mm Diameter</u>				
			(a) MH 1R3936 to MH 1R3935	45.0	L.M.	\$	\$
			(b) MH 1R3937 to MH 1R3935	45.0	L.M.	\$	\$
			* <u>RCP CSA A257.2 Class 65-D</u> <u>450mm Diameter</u>				
			(c) MH 1R3935 to MH 1R3934	102.0	L.M.	\$	\$
			<u>600mm Diameter</u>				
			(d) MH 1R3934 to MH 1R3983	95.0	L.M.	\$	\$
			(e) MH 1R3983 to MH 1R3308 (existing)	9.0	L.M.	\$	\$
2	10,18, 19, 21	4, 7, 8, 13, 14, 16	Excavate for and construct precast concrete manhole complete, including base, transition/ Flat cap where necessary, taper cone, compacted granular backfill, parging, adjustment units for frame and cover, and frame and cover, excluding surface restoration. <u>1200mm Diameter</u>				
			(a) MH 1R3934	1.0	L.S.	\$	\$
			(b) MH 1R3935	1.0	L.S.	\$	\$
			(c) MH 1R3936	1.0	L.S.	\$	\$
			(d) MH 1R3937	1.0	L.S.	\$	\$
			(e) MH 1R3983	1.0	L.S.	\$	\$

CITY OF WINDSOR
PUBLIC WORKS - ENGINEERING DEPARTMENT
TENDER 04-19 - AUBIN ROAD
SEWER AND PAVEMENT REHABILITATION
TECUMSEH ROAD EAST TO GUY STREET

UNIT PRICING SCHEDULE

PART B: STORM SEWER CONSTRUCTION

ITEM NO.	SPEC PROV	SUPP SPEC	DESCRIPTION	ESTIMATED QUANTITY	UNITS	UNIT PRICE	AMOUNT
3	3, 5, 9	1, 4, 7, 8, 16, 18, 22, 26, 27	Excavate, supply and install new 150mm diameter storm private drain connections, including support and backfill, by open cut or auguring method from the proposed storm sewer to approx. 0.3m short of the front property line. <u>Sidewalks for backfill included in linear metre price.</u> <i>Note:</i> <i>A) The purpose of above Item 3 is to replace existing connections to properties on Aubin fronting the new storm sewer as per City of Windsor Standard Specifications AS-318</i> <i>B) The Contractor should note that full granular backfill is required beneath lead walks, and driveways; however, this material will be paid under separate item, as well as restoration. (Item 13, Part C)</i>	400.0	L.M.	\$	\$
4	3, 5, 9	18	Supply, install, and connect as per AS-325, 150mm diameter PVC "Tee" cleanout at property line for storm private drain connections, including backfill.	40.0	Each	\$	\$
5	5		Supply, install, and remove as directed by Engineer, temporary 200mm PVC Tee with cleanout and metal grate to allow for roadside drainage (locations to be determined onsite). <i>(Provisional)</i>	2.0	Each	\$	\$
6			Breaking into existing MH 1R3809 at Aubin Road/Guy Street intersection to accept new <u>600mm</u> RCP storm sewer.	1.0	L.S.	\$	\$
7			CONTINGENCY ALLOWANCE				\$ 35,000.00
TOTAL TENDER PRICE PART "B"						\$	
(INCLUDING CONTINGENCY, EXCLUDING HST)							

CITY OF WINDSOR
PUBLIC WORKS - ENGINEERING DEPARTMENT
TENDER 04-19 - AUBIN ROAD
SEWER AND PAVEMENT REHABILITATION
TECUMSEH ROAD EAST TO GUY STREET

UNIT PRICING SCHEDULE

PART C: PAVEMENT RECONSTRUCTION

ITEM NO.	SPEC PROV	SUPP SPEC	DESCRIPTION	ESTIMATED QUANTITY	UNITS	UNIT PRICE	AMOUNT
10		1, 26	Excavate for, supply and place 150mm diameter Big "O" perforated pipe (roadside subdrain), including surrounding granular bedding and connections to catchbasins.	525.0	L.M.	\$	\$
11		1, 19	Excavate for, supply and install catchbasin connections including support, compacted granular 'A' backfill and connection to new catchbasin by open cut or approved auguring method.	10.0	L.M.	\$	\$
			(a) 300mm diameter (Provisional).	10.0	L.M.	\$	\$
			(b) 250mm diameter (Provisional).	60.0	L.M.	\$	\$
		(c) 200mm diameter					
12	14	5, 6, 7	Supply, and place and compact Granular "A" material for road base, including gravel driveways and intersections.	2,800.0	Tonnes	\$	\$
13	9	5, 6.	Supply, place, and compact granular under leadwalks, and driveways for private drain connections.	280.0	Tonnes	\$	\$
14	4		Construct concrete curb and gutter Barrier Type as per AS-208, and temporary box-outs at catchbasins, as instructed by City Engineer.	525.0	L.M.	\$	\$
15	4	7, 11, 12	Construct 1.5 metre wide concrete sidewalks and wheelchair ramps per AS-401, AS-402, and AS-549. NOTE: Granular "A" to be included in Unit Price Bid. Unit Price should also include any additional excavation regarding the preparation of proposed sidewalk.	725.0	S.M.	\$	\$
16	4	7, 11 12	(a) Construct residential concrete driveway approach as per Standard Drawing AS-222 and lead walk as per Standard Drawing AS-401. NOTE: Granular "A" to be included in Unit Price Bid.	<u>300.0</u>	S.M.	\$	\$

CITY OF WINDSOR
PUBLIC WORKS - ENGINEERING DEPARTMENT
TENDER 04-19 - AUBIN ROAD
SEWER AND PAVEMENT REHABILITATION
TECUMSEH ROAD EAST TO GUY STREET

UNIT PRICING SCHEDULE

PART C: PAVEMENT RECONSTRUCTION

ITEM NO.	SPEC PROV	SUPP SPEC	DESCRIPTION	ESTIMATED QUANTITY	UNITS	UNIT PRICE	AMOUNT
17	11, 12, 13	10	Supply, place and compact asphalt: (a) Roadways - 65 mm HL-4 Hot Mix Base Course.	440.0	Tonnes	\$	\$
			(b) Driveways (hand laid) as per Standard Drawing AS-221. NOTE: Granular "A" to be included in Unit Price Bid.	26.0	Tonnes	\$	\$
			(c) Sacrificial Asphalt (HL-4) as required (Provisional) .	50.0	Tonnes	\$	\$
18			All material and labour required to reinstate brick lead walk at 1907 Aubin.	5.0	S.M.	\$	\$
19	4, 6	12	Supply and apply Crystal-Lock: (Provisional) (a) Curb and gutter.	525.0	L.M.	\$	\$
			(b) Concrete pavement, leadwalk and/or driveway.	500.0	S.M.	\$	\$
			(c) Concrete sidewalk.	825.0	S.M.	\$	\$
20	6	12	Additional cost to provide additives, heat, plastic, blankets, etc., required to protect concrete in cold weather as directed by the Engineer (Provisional) a) Curb and gutter	525.0	L.M.	\$	\$
			b) Concrete pavement, leadwalks, and/or driveways.	500.0	S.M.	\$	\$
			c) Concrete sidewalks.	825.0	S.M.	\$	\$
21		22, 23	Supply and place imported topsoil.	370.0	C.M.	\$	\$
22 *	9	22,24,25	(a) Supply and place sod.	3,700.0	S.M.	\$	\$
			(b) Supply and apply water for sod & seed. Note: Please notify the Inspector while watering on site. Payment will be made as per the Inspector's review of submitted water tickets.	600.0	C.M.	\$	\$
23	8		Supply and apply water for dust control.	400.0	C.M.	\$	\$
24			Supply and apply calcium chloride for dust control.	1.0	Tonnes	\$	\$
25			Supply and install 2' x 5' truncated tactile surface indicators on wheelchair ramps. (Provisional) .	6.0	S.M.	\$	\$
26	7		Tree trimming for entire project limits.	1.0	L.S.	\$	\$
27			Provide a Vacuum Excavation truck to perform additional daylighting for any utilities as directed by the Engineer. (Provisional) .	10.0	Hours	\$	\$
28			Removal of objects in right-of-way.	1.0	L.S.	\$	\$

CITY OF WINDSOR
PUBLIC WORKS - ENGINEERING DEPARTMENT
TENDER 04-19 - AUBIN ROAD
SEWER AND PAVEMENT REHABILITATION
TECUMSEH ROAD EAST TO GUY STREET

UNIT PRICING SCHEDULE

PART C: PAVEMENT RECONSTRUCTION

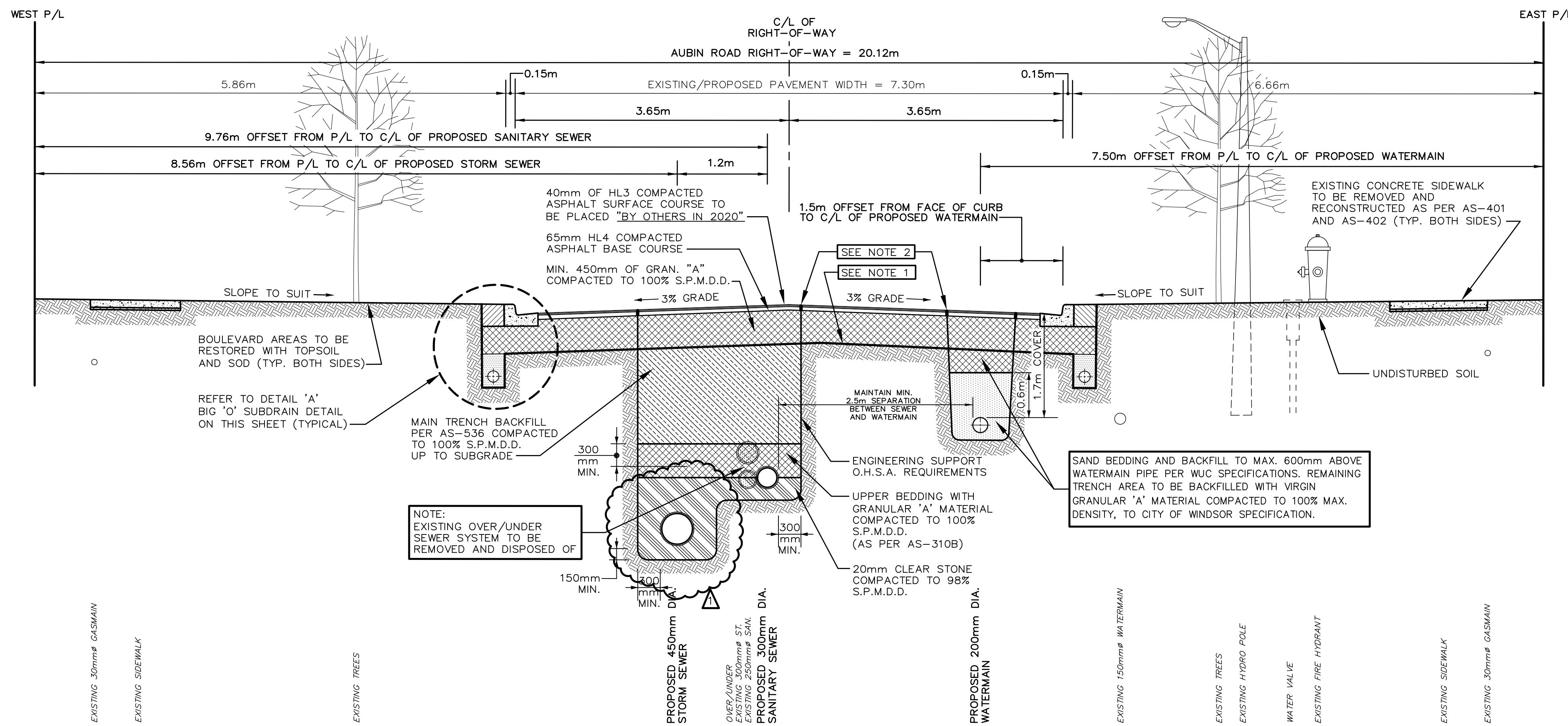
ITEM NO.	SPEC PROV	SUPP SPEC	DESCRIPTION	ESTIMATED QUANTITY	UNITS	UNIT PRICE	AMOUNT
29	20		Renewal of existing damaged, cut, or re-routed 25mm polyethylene water services from the main to 2.0m behind the new curb as a result of new sewer installation work.	10.0	Each	\$	\$
30	15		Excavator with operator <i>(Provisional)</i> .	5.0	Hours	\$	\$
31	15		Triaxle dump truck with driver <i>(Provisional)</i> .	20.0	Hours	\$	\$
32	15		Rubber tire backhoe with operator <i>(Provisional)</i> .	20.0	Hours	\$	\$
33	15		Foreperson and pickup <i>(Provisional)</i> .	20.0	Hours	\$	\$
34	15		Labourer <i>(Provisional)</i> .	40.0	Hours	\$	\$
35			Construct commercial concrete driveway for alley approach as per standard drawing AS-204.	50.0	S.M.	\$	\$
36			Supply & place seed with bonded fibre matrix at the discretion of the engineer for Aubin Road abutting Toronto Dominion Bank at 3990 Tecumseh Road East	125.0	S.M.	\$	\$
37	*		<u>Replace damaged sprinkler head / connections to undamaged sprinkler line</u> <u>NOTE: Items to be inclusive of all materials (Provisional)</u>	5.0	Each	\$	\$
38	*		CONTINGENCY ALLOWANCE				\$ 65,000.00
TOTAL TENDER PRICE PART "C"						\$	
(INCLUDING CONTINGENCY, EXCLUDING HST)							

CITY OF WINDSOR
PUBLIC WORKS - ENGINEERING DEPARTMENT
TENDER 04-19 - AUBIN ROAD
SEWER AND PAVEMENT REHABILITATION
TECUMSEH ROAD EAST TO GUY STREET

UNIT PRICING SCHEDULE

PART D: WATERMAIN

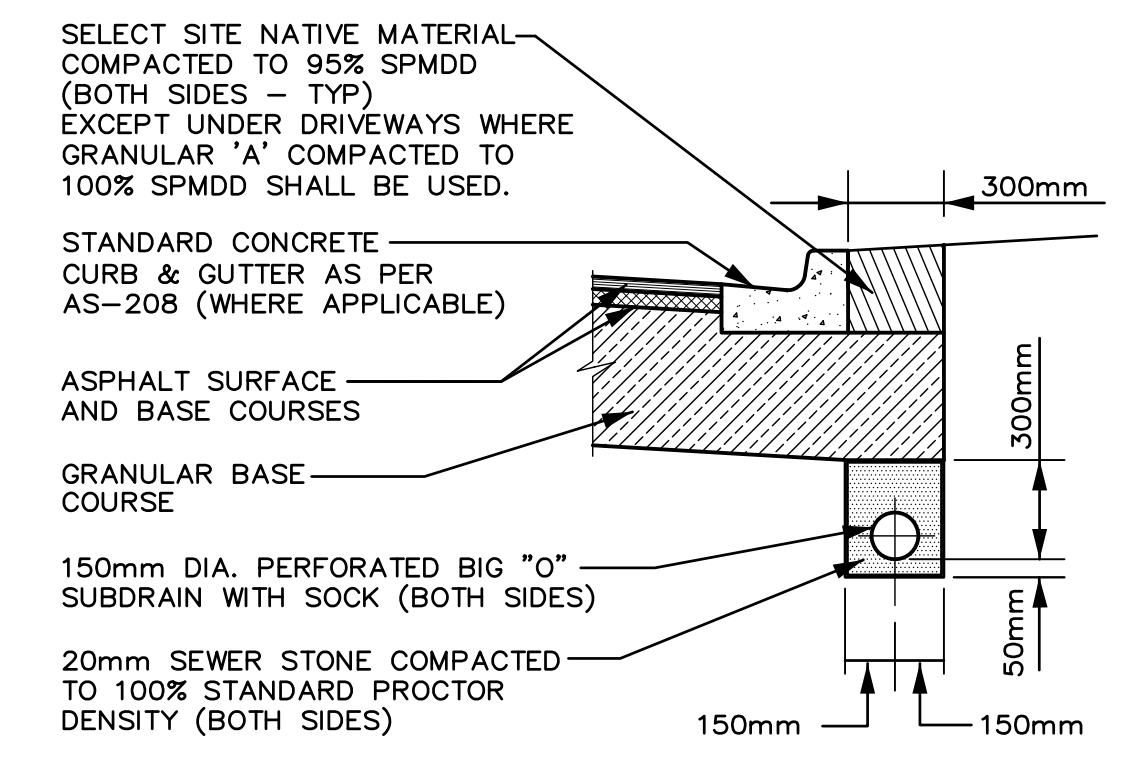
ITEM NO.	WUC SPEC	SUB.	DESCRIPTION	ESTIMATED QUANTITY	UNITS	UNIT PRICE	AMOUNT
6		b)	After testing is complete remove backflow preventer & connect new watermain. See S-2068, Sheet '7', Detail 'B'	1.0	UNIT	\$	\$
		c)	Tie in & abandonment of the existing watermain on the Southeast corner of Aubin Rd & Guy St. See S-2068, Sheet '7', Detail 'A'	1.0	UNIT	\$	\$
		d)	Cut & cap for abandonment of the existing watermain on the Northeast corner of Aubin Rd & Tecumseh Rd E. See S-2068, Sheet '7', Detail 'B'	1.0	UNIT	\$	\$
7	30.19 *	.01	Supply and install 24lb Zinc Anodes on existing metallic water mains and metallic fittings as directed by the Engineer.	2.0	EACH	\$	\$
8	30.18	.05	a) Supply and install Foam Swabs as directed by the Engineer for the following pipe sizes: 100mm to 200mm diameter pipe sizes.	1.0	EACH	\$	\$
9	30.18	.08	a) Install chlorine risers in locations as directed by the Engineer as per WUC detail. off 100mm to 200mm diameter pipe sizes.	1.0	EACH	\$	\$
10	30.18	.06	Install all temporary blow-off assemblies and proper hoses in the locations shown on the drawings for testing and remove same after testing is completed; and assist WUC forces during swabbing, flushing, chlorination, and testing of all new watermains for each of the following streets: a) Aubin Rd - Tecumseh to Guy	1.0	UNIT	\$	\$
11			Replace private drain connections, where ordered by the Engineer. (Provisional)				
		a)	100mm diameter	10.0	L.M.	\$	\$
		b)	150mm diameter	25.0	L.M.	\$	\$
		c)	200mm diameter	10.0	L.M.	\$	\$
		d)	250mm diameter	5.0	L.M.	\$	\$
e)	300mm diameter	5.0	L.M.	\$	\$		



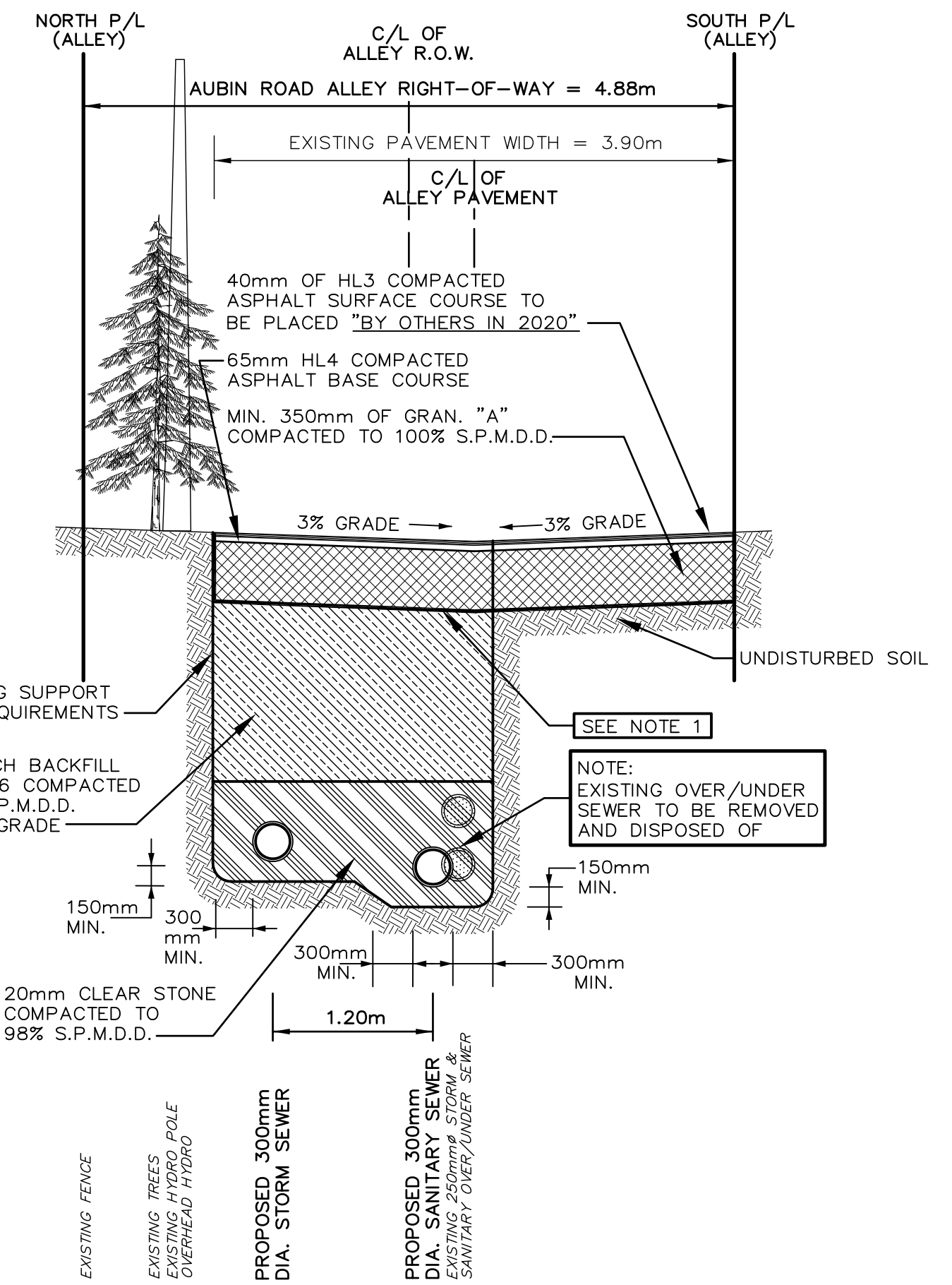
TYPICAL UTILITY CROSS SECTION FOR AUBIN ROAD AT STATION 1+120.00
N.T.S.

ATTENTION:
CONTRACTOR IS RESPONSIBLE FOR THE EXACT LOCATION AND PROTECTION OF EXISTING UTILITIES DURING CONSTRUCTION.

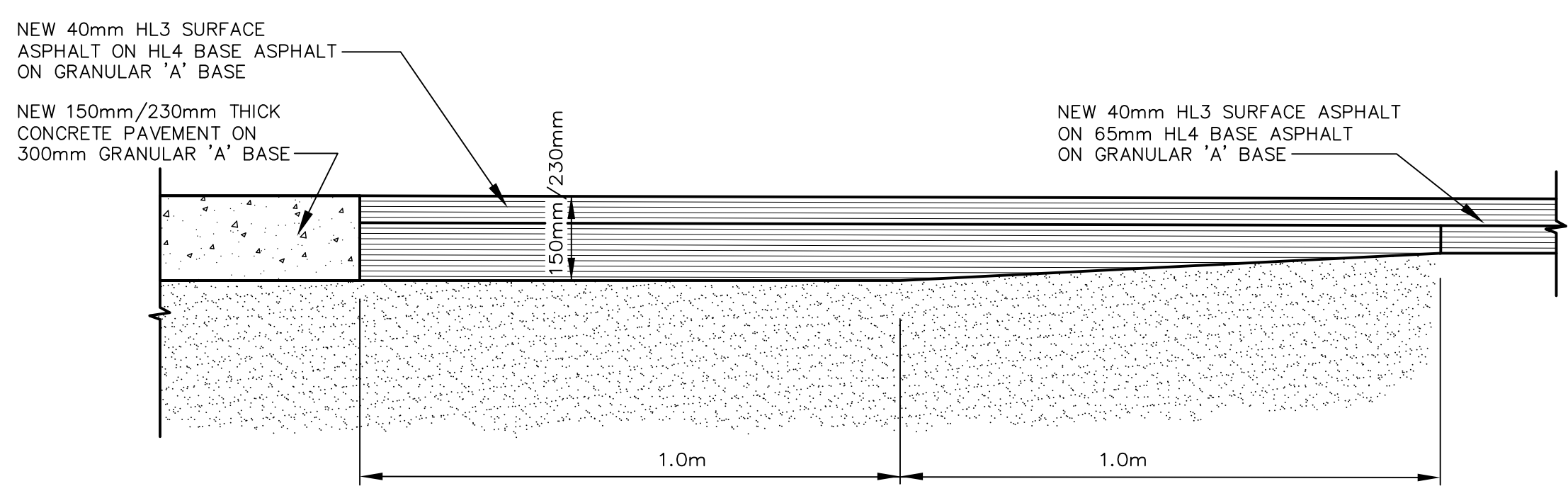
- NOTES :**
- EXCAVATION AND RESTORATION ABOVE THIS LINE WILL BE PAID FOR UNDER SEPARATE ITEMS AS PART OF THE PROPOSED PAVEMENT CONSTRUCTION. BELOW THIS LINE, THE COST OF ALL EXCAVATION, GRANULAR BACKFILL, ETC. SHALL BE INCLUDED IN THE UNIT PRICE BID PER METRE OF STORM SEWER, SANITARY SEWER AND WATERMAIN.
 - FULL DEPTH SAWCUT THROUGH EXISTING PAVEMENT ALONG BOTH SIDES OF SEWER AND WATERMAIN TRENCHES. COST OF SAWCUT TO BE INCLUDED IN UNIT PRICE BID PER METRE OF STORM SEWER, SANITARY SEWER AND WATERMAIN.
 - GRANULAR "B" TYPE I OR II WILL NOT BE ALLOWED AS A SUBSTITUTE.
 - REFER TO PLAN AND PROFILE (SHEETS 1, 3 & 7) FOR STORM SEWER, SANITARY SEWER AND WATERMAIN ALIGNMENT.



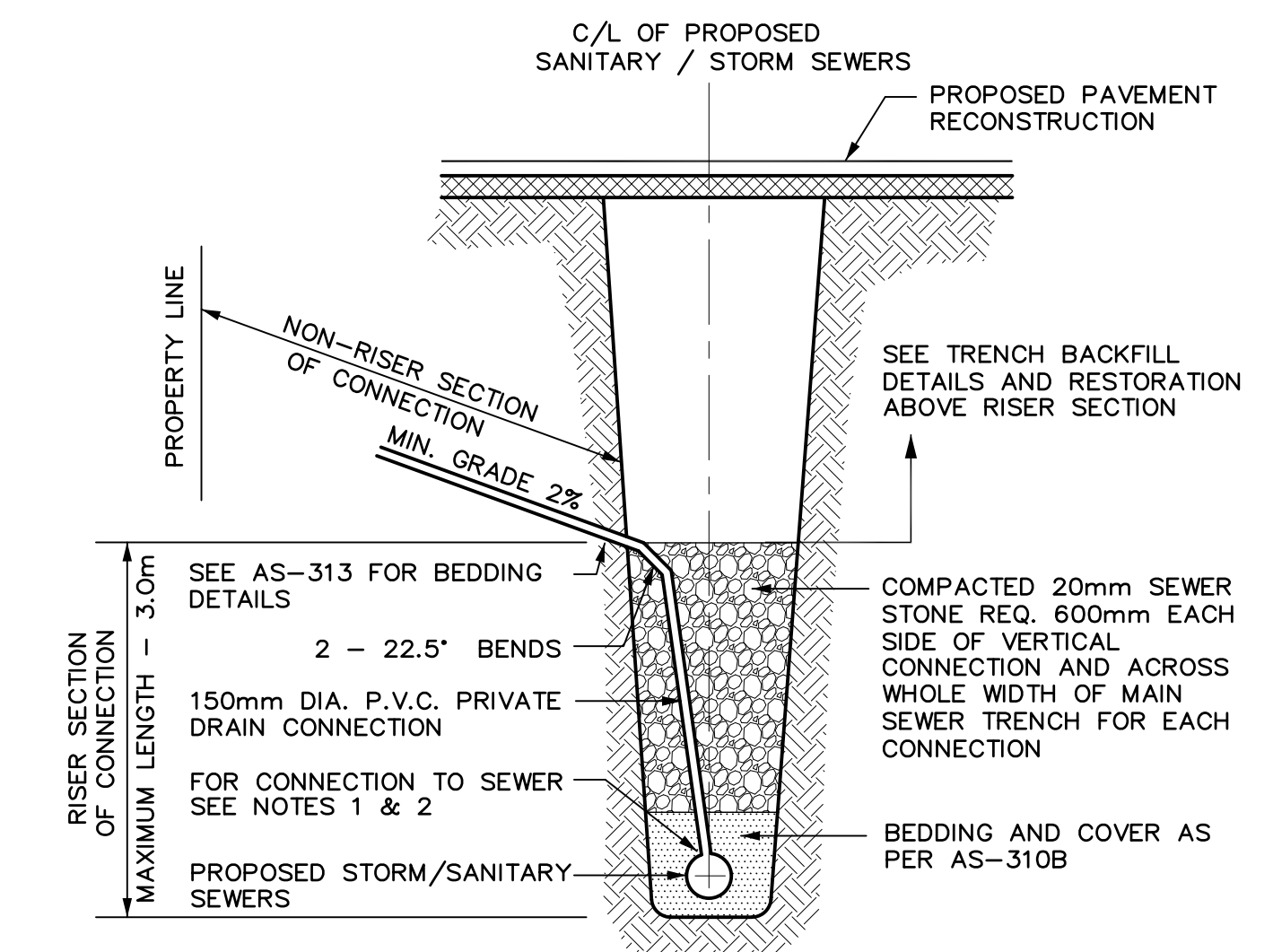
DETAIL 'A' BIG 'O' SUBDRAIN DETAIL (TYPICAL)
N.T.S.



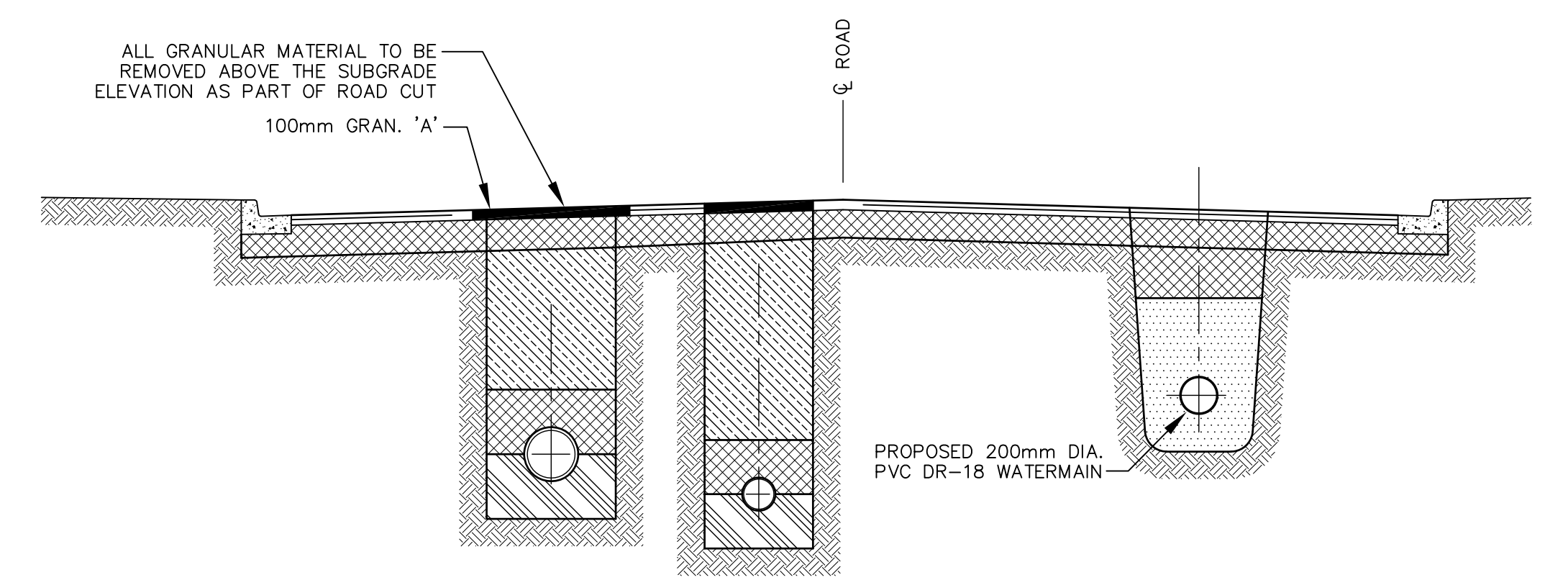
TYPICAL SEWER TRENCH BACKFILL AND RESTORATION DETAIL FOR 4.88m ALLEY AT STA. 2+030
N.T.S.



ASPHALT TO CONCRETE TRANSITION DETAIL IN ALLEY
N.T.S.



TYPICAL CROSS SECTION FOR TRENCH BACKFILL AT PRIVATE DRAIN CONNECTIONS-RISER SECTIONS
N.T.S.



TEMPORARY STORM AND SANITARY SEWER TRENCH MAINTENANCE STONE
N.T.S.

No.	REVISIONS	DATE	INIT.	ISSUED FOR TENDER DATE :	SCALES		DATE DRAWN: MAY 2018	<p>THE CORPORATION OF THE CITY OF WINDSOR ENGINEERING DEPARTMENT</p>	2019 SEWER REHABILITATION PROGRAMME	TENDER No. 4-19
1	M.O.E. APPROVALS	03/15/19	T.F.	FEBRUARY 9, 2019	N.T.S.		DRAWN BY: M. BONTORIN		ACCOUNT No. 7171008	
Δ	ADDENDUM 1 STORM SEWER	02/13/19	T.F.	ISSUED FOR CONSTRUCTION DATE :			CHECKED: P. UBENE		DRAWING No. S-2068	
				AS CONSTRUCTED DATE :			DESIGN: T. FRICKEY		SHEET 4 OF 9	
						CHECKED: W. HICKS	MARK WINTERTON, P.Eng. CITY ENGINEER			