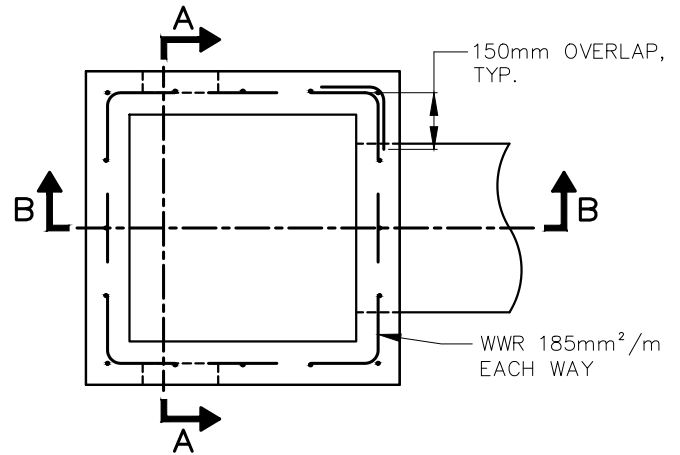
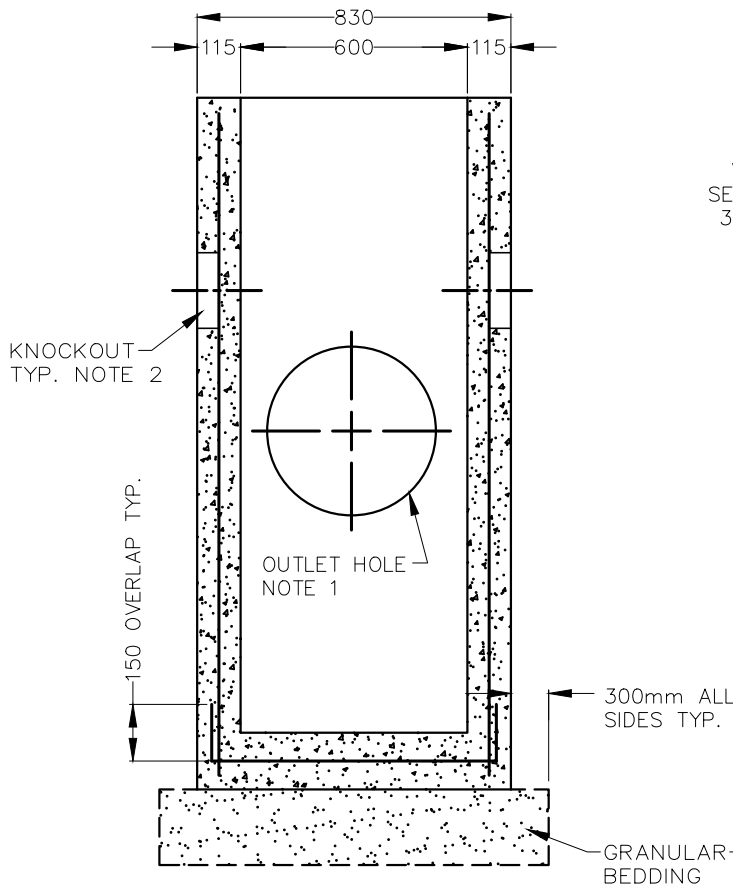


ALTERNATE STANDARD HEIGHTS	
ALTERNATE	DIMENSION
A	1980
B	1830
* C	1675
D	1520
E	1380

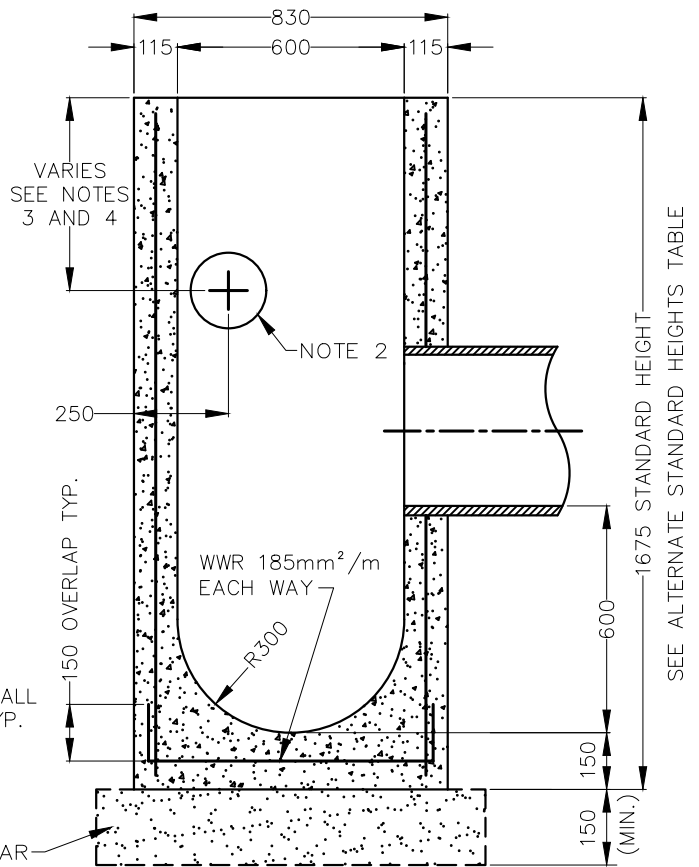
* STANDARD HEIGHT



PLAN



SECTION A-A



SECTION B-B

NOTES:

1. OUTLET HOLE SIZE 525mm DIAMETER MAXIMUM, LOCATION AS REQUIRED.
2. 200mm DIAMETER KNOCKOUT TO ACCOMMODATE SUBDRAIN. KNOCKOUT SHALL BE 60mm DEEP. (2 OR 3 KNOCKOUTS)
3. INVERT OF 200mm SUBDRAIN KNOCKOUTS SHALL MATCH OR BE HIGHER THAN ELEVATION OF THE OVERT OF THE CATCH BASIN OUTLET/LEAD, OR AS DIRECTED BY CITY ENGINEER.
4. TO BE READ IN CONJUNCTION WITH AS-557.
- A. CENTER REINFORCING IN BASE SLAB AND WALLS ± 20 mm.
- B. UNSHRINKABLE BACKFILL TO BE USED AROUND ALL CATCH BASIN INSTALLATIONS.
- C. FRAME, GRATE AND ADJUSTMENT UNITS SHALL BE INSTALLED ACCORDING TO APPLICABLE CITY OF WINDSOR STANDARD SPECIFICATION.
- D. PIPE SUPPORT SHALL BE ACCORDING TO APPLICABLE CITY OF WINDSOR STANDARD SPECIFICATION.
- E. ALL DIMENSIONS ARE NOMINAL.
- F. ALL DIMENSIONS ARE IN MILLIMETERS UNLESS OTHERWISE SHOWN.

NOT TO SCALE

CITY OF WINDSOR	
ENGINEERING DEPARTMENT	
600mm x 600mm PRECAST CONCRETE CATCH BASIN	
DR'N BY: MF, UT, AZ	DATE: AUG, 2014
REV. DATE: MAR, 2024	CH'KD BY(ENG):PM, JH
CH'KD BY(GEO/OPS):PJU, AL	PASSED BY:FM
_____ CITY ENGINEER	AS-309A