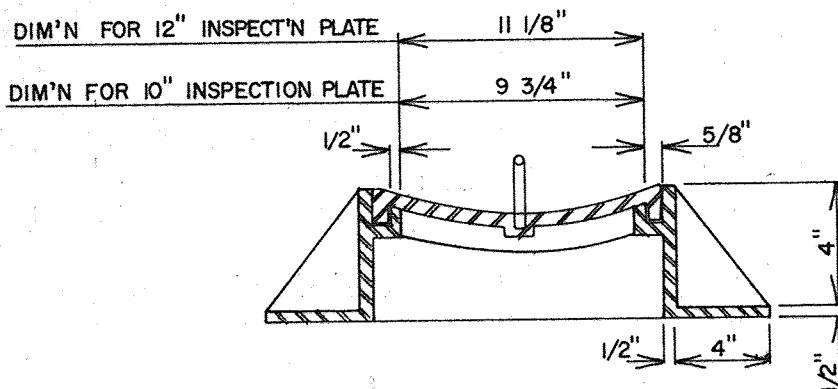


SECTION A-A



SECTION B-B

| | |
|--|-------------------------------|
| CITY OF WINDSOR DEPARTMENT OF PUBLIC WORKS | |
| SANITARY INSPECTION | SEWER PLATE |
| DR'N BY : K.A.J. | DATE: 4/16/71 |
| REVISION: JAN. 1976 | CH'KD BY: <i>[Signature]</i> |
| CH'KD BY: <i>[Signature]</i> | PASSED BY: <i>[Signature]</i> |
| <i>H. Sahm</i> COMMISSIONER OF WORKS | AS-503 |