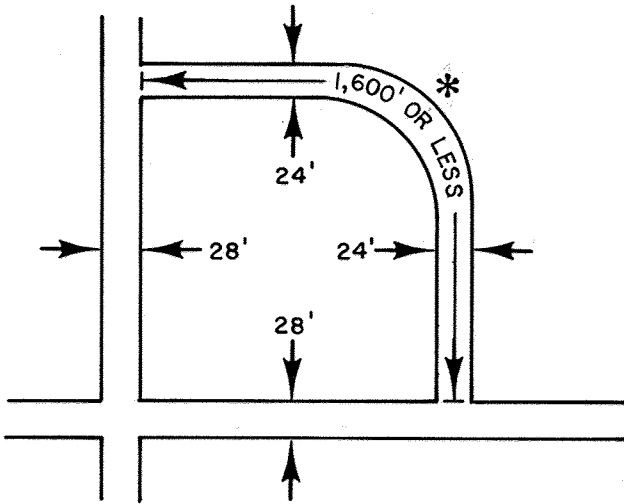
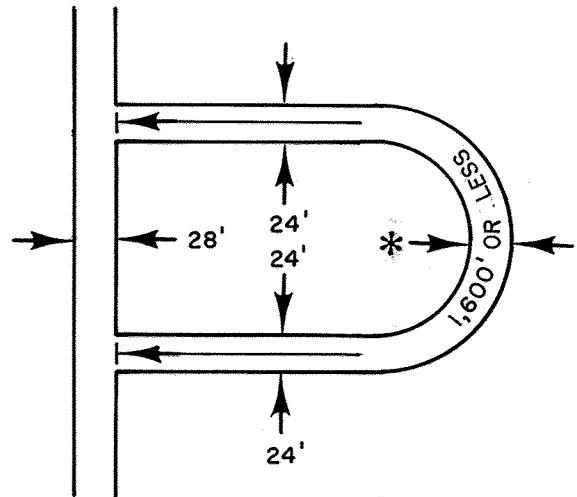


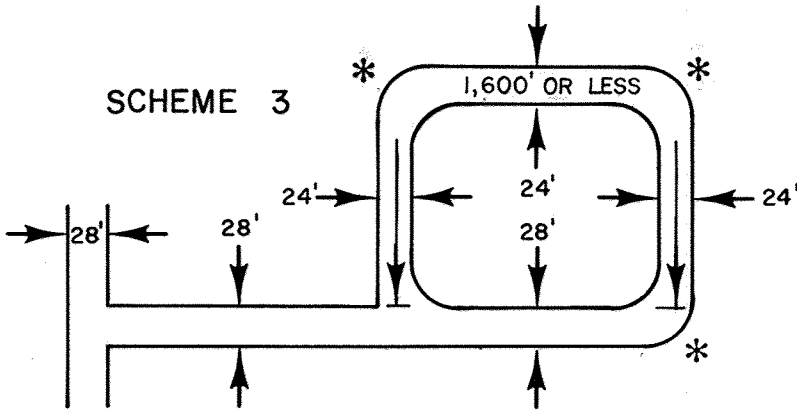
SCHEME 1



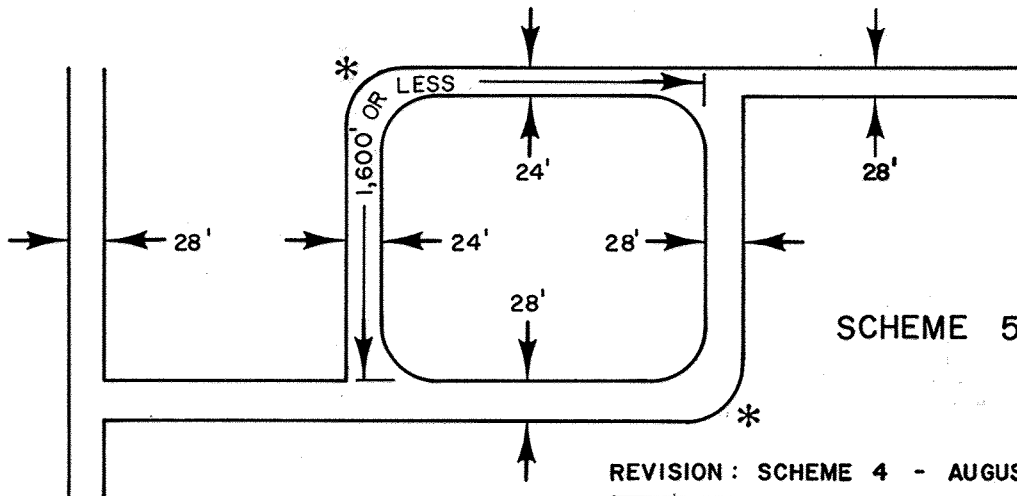
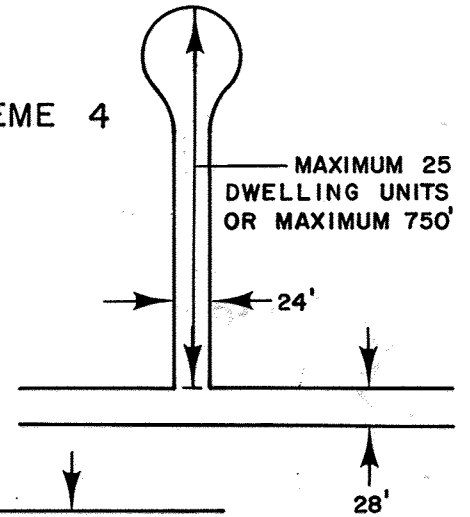
SCHEME 2



SCHEME 3



SCHEME 4



SCHEME 5

REVISION : SCHEME 4 - AUGUST 1989 - L.Carkner

* NOTE : WIDENING AT CURVED PORTIONS TO BE DESIGNATED BY THE ENGINEER.

| | |
|--|------------------------|
| CITY OF WINDSOR DEPARTMENT OF PUBLIC WORKS | |
| VARIOUS STREET ALIGNMENTS PERMITTING THE USAGE OF 24 FT. WIDE PAVEMENTS | |
| DR'N BY : S.C.L. | DATE : NOV. 1973 |
| REVISION : JAN. 1975 | CH'KD BY : <i>ofm</i> |
| CH'KD BY : <i>ofm</i> | PASSED BY : <i>ofm</i> |
| <i>H. O'aym</i> COMMISSIONER OF WORKS | |
| AS - 228 | |